

CAPACITOR SPECIFICATION

PART NUMBER: 450PD820MT or 450PD820MTE

<u>PARAMETER</u>	<u>VALUE</u>	<u>UNITS</u>	<u>Q.A.</u>	<u>METHOD</u>
CAPACITANCE:	0.020	µF	100%	120 Hz, R.T.*
TOLERANCE:	± 5	%		
RATED VOLTAGE:	50	kV		
TEST VOLTAGE:	100	kV	100%	60 sec HIPOT
OPERATING VOLTAGE:	50	kV		
RATED ENERGY:	25	Joules		
RATED VOLTAGE REVERSAL:	20	%		
MAX. VOLTAGE REVERSAL:	80 (FAULT)	%		
MAX. PEAK CURRENT:	50	kA		
MAX. RMS CURRENT	35	Amps RMS Continuous Working		
MAX. OPERATING TEMP.	65	°C		
MIN. OPERATING TEMP.	-20	°C		
DESIGN LIFE AT RATED:	3.4E+09	charge / discharge cycles		
DC LIFE:	> 1.5E+05	hours		
RELIABILITY AT LIFE:	90	%		
MAX. DISSIPATION FACTOR	0.20	%	100%	120 Hz, R.T.*
APPROX. INDUCTANCE	45	nH	SAMPLE	STANDING WAVE
MIN. INSULATION RESISTANCE	1000	Mohm-µF	SAMPLE	DECAY Vr / R.T.* / 120s / 120s
CASE STYLE:	DOUBLE ENDED PLASTIC			
BUSHING:	2 ea 1.24" DIA TERMINAL			
ELECTRODE STUD:	M10 x 1.5 x 12mm Deep Thd			
DIMENSIONS:	4.0 x 6.0 x 7.7	inches		
	102 x 152 x 196	mm		
APPROX. WEIGHT:	8.5	lbs		
	3.9	kg		

NOTES:

NOTE 1: LEAK TEST: 100 % test and inspection

NOTE 2: BTDP IMPREGNANT (non-PCB)

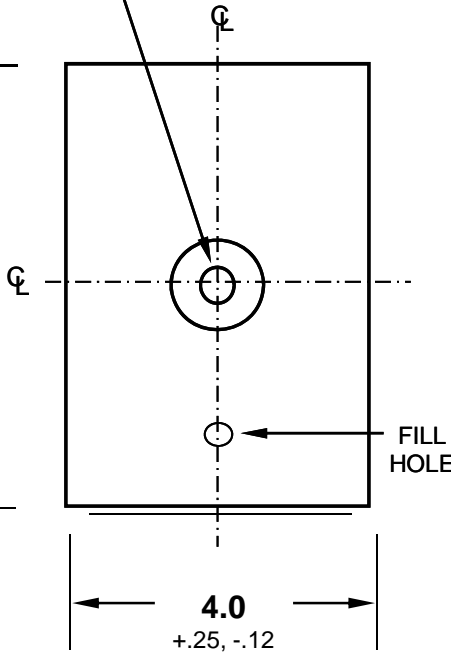
NOTE 3: An "E" at the end of the Part No. signify an Engraved Label, for use under oil.

* R.T. = Room temperature (23 ± 7 °C)

	SIZE	FSCM	DRAWING NUMBER	REV LTR
	A	58307	35829	D
			SHEET 2D	

Standard .38-16 UNC x 0.5 Deep Thd
Metric M10 x 1.5 x 12mm Deep Thd

6.0
+.18 -.12
152mm
+5 -3



4.0
+.25, -.12
102mm
+6, -3

0.19
5mm

1.24 DIA
31.5mm DIA

FILL
HOLE

LABEL
APPROX CENTERED

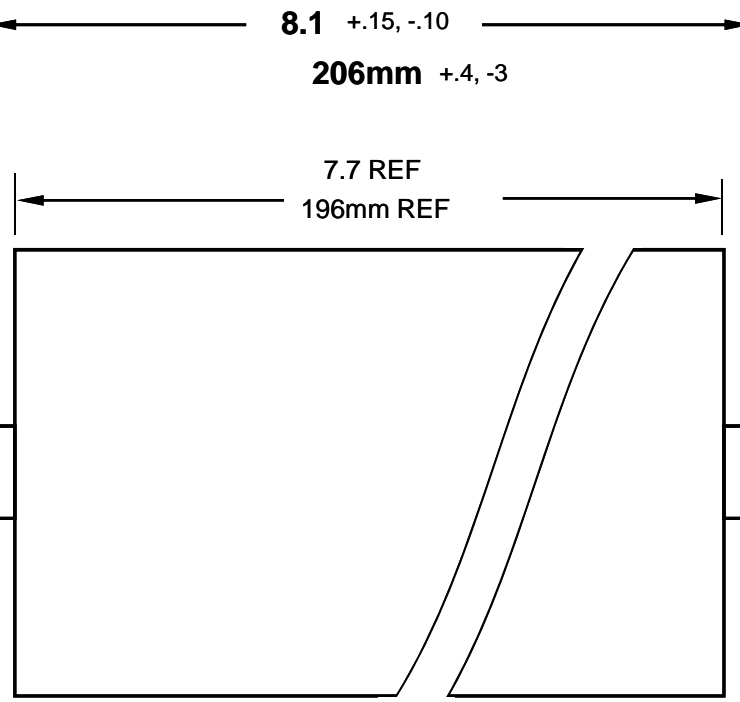
8.1 +.15, -.10

206mm +.4, -3

7.7 REF


196mm REF

0.19
5mm



Optional Engraved Label
For 450PD820TE and
450PD820MTE

**GENERAL ATOMICS
ELECTRONIC SYSTEMS**
Part No. 450PD820TE
or 450PD820MTE
0.02 $\mu\text{F} \pm 5\%$
50.0 kV
XXXX-D-XX-XX
No PCB's

		UNLESS OTHERWISE SPECIFIED DIMENSIONS ARE IN INCHES. TOLERANCES ARE: DECIMALS ANGLES .X \pm .1 $\pm 2^\circ$.XX \pm .03 .XXX \pm .010 DO NOT SCALE DRAWING	CONTRACT NO.		 4949 GREENCRAIG LANE SAN DIEGO, CA 92123			
			APPROVALS	DATE				TITLE CAP. PART No. 450PD820T or 450PD820MT 0.020 $\mu\text{F} \pm 5\%$, 50 kV
		TREATMENT	DRAWN		SIZE A	FSCM 58307	DRAWING NUMBER 35829	REV LTR D
		FINISH	CHECKED					
NEXT ASSY	USED ON	FINISH	ENGR	MC	SCALE - NONE		DATE: 05/19/04	SHEET 9B
APPLICATION		SIMILAR TO	DESIGN ACTIVITY	GOVERNMENT ACTIVITY				