



GENERAL ATOMICS

Energy Products

GENERAL ATOMICS ELECTRONIC SYSTEMS

CAPACITORS AND POWER SUPPLIES

CAPACITOR SPECIFICATION

PART NUMBER: **37326**

PARAMETER	VALUE	UNITS	Q.A.	METHOD
CAPACITANCE:	0.05	μF	100%	120 Hz, R.T.*
TOLERANCE:	+10, -10	%		
RATED VOLTAGE:	40.0	kV		
TEST VOLTAGE:	50.0	kV	100%	60 sec HIPOT
RATED ENERGY:	40	Joules		
RATED VOLTAGE REVERSAL:	20	%		
MAX. VOLTAGE REVERSAL:	50	%		
MAX. PEAK CURRENT:	50	kA		
MAX. CONTINUOUS REP RATE:	1000	Hz		
MAX. RMS CURRENT	35	A		
MAX. OPERATING TEMP.	65	$^{\circ}\text{C}$		
MIN. OPERATING TEMP.	-30	$^{\circ}\text{C}$		
DESIGN LIFE AT RATED:	1.0E+08	charge / discharge cycles		
DC LIFE:	10,000	hours		
RELIABILITY AT LIFE:	90	%		
MAX. DISSIPATION FACTOR	0.15	%	100%	120 Hz, R.T.*
APPROX. INDUCTANCE	15	nH		SAMPLE STANDING WAVE
MIN. INSULATION RESISTANCE	1000	Mohm- μF		SAMPLE DECAY Vr / R.T.* / 120s / 120s
CASE STYLE:	Single-ended plastic case (Type SE)			
BUSHING:	50 kV "S" HEADER			
ELECTRODE STUD:	2 ea 10-32 x 0.25 UNF TAPPED BRASS RAILS			
DIMENSIONS:	2.3 x 5.9 x 9.8	inches		
	58 x 150 x 249	mm		
WEIGHT:	9.0	lbs		
	4.1	kg		

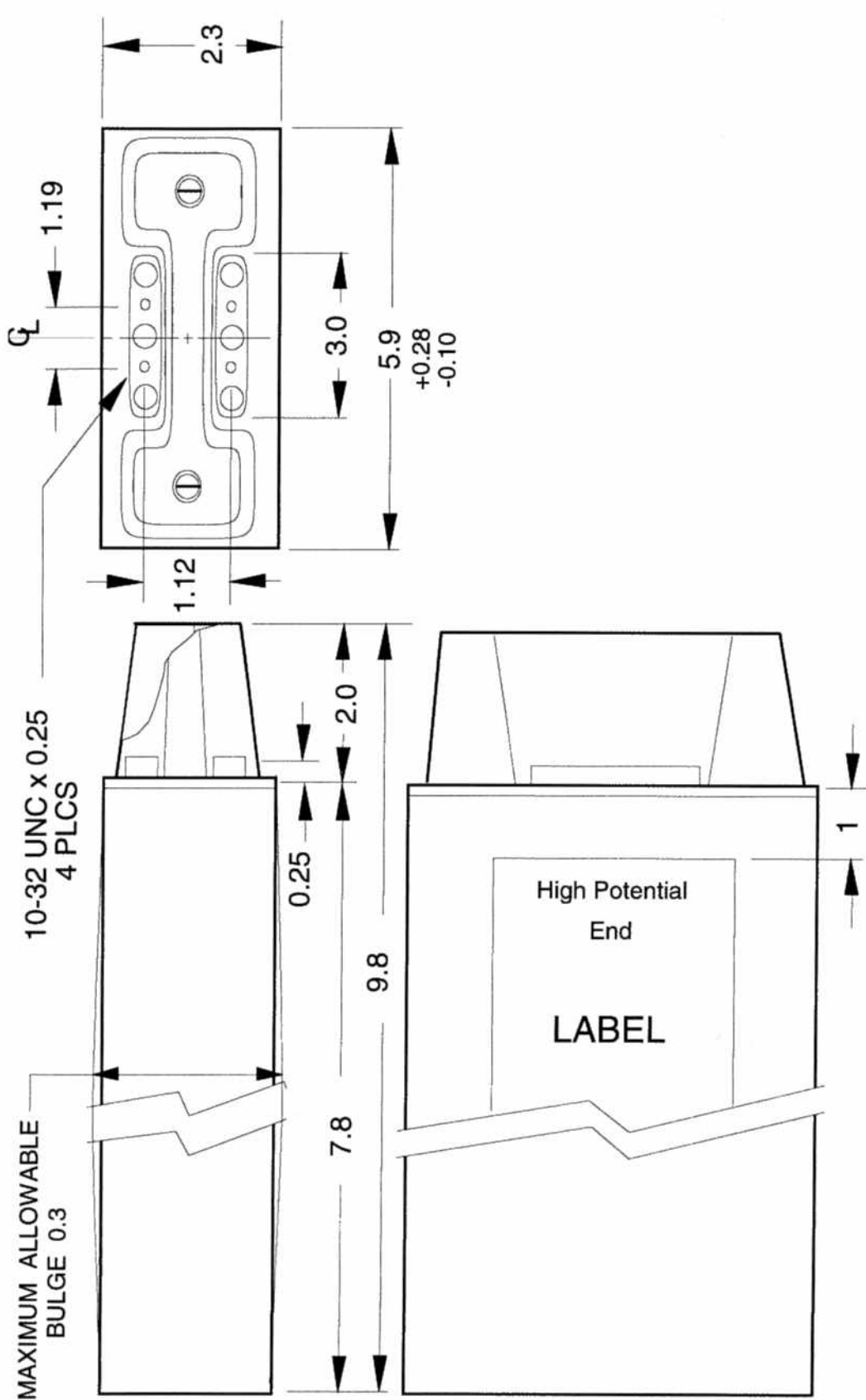
NOTES:

NOTE 1: LEAK TEST: 100 % test and inspection

NOTE 2: BTDP or IPE IMPREGNANT (non-PCB)

*R.T. = room temperature

	SIZE	FSCM	DRAWING NUMBER	REV LTR
	A	58307	37326	G
			SHEET	2



GENERAL ATOMICS Energy Products		ELECTRONIC SYSTEMS 4949 GREENCRAIG LANE SAN DIEGO CA. 92123	
TITLE OUTLINE DRAWING			
CAPACITOR, MODEL 37326 0.05 μF ± 10 %, 40.0 kV			
SIZE A	FSCM 58307	DRAWING NUMBER 37326	REV LTR G
SCALE NONE		DATE 5 / 30 / 97	PAGE 9 OF 9
CONTRACT NUMBER		DATE	
PREPARED		CHECKED	
ENGINEER		DESIGN ACTIVITY APPROVAL	
GOVERNMENT ACTIVITY APPROVAL		GOVERNMENT ACTIVITY APPROVAL	
DO NOT SCALE DRAWING UNLESS OTHERWISE SPECIFIED DIMENSIONS ARE IN INCHES .X ± .1 .XX ± .03 .XXX ± .010		PROJECT MANAGER Robert Cooper	
APPROVED		CHECKED BY Robert Cooper	
USED ON		DRAWN BY Robert Cooper	
APPLICATION			