



# CAPACITOR SPECIFICATION

PART NUMBER: **33464**

PARAMETER	VALUE	UNITS	Q.A.	METHOD
CAPACITANCE:	30	uF	100%	120 Hz, R.T.*
TOLERANCE:	± 10	%		
RATED VOLTAGE:	20.0	kV		
TEST VOLTAGE:	22.0	kV	100%	60 sec HIPOT
RATED ENERGY:	6	kJ		
RATED VOLTAGE REVERSAL:	80	%		
MAX. VOLTAGE REVERSAL:	90	%		
MAX. PEAK CURRENT:	50	kA		
MAX. CONTINUOUS REP RATE:	1	ppm		
MAX. RMS CURRENT	75	A		
MAX. OPERATING TEMP.	40	°C		
MIN. OPERATING TEMP.	-10	°C		
DESIGN LIFE AT RATED:	1.0E+05	charge / discharge cycles		
DC LIFE:	N / A	hours		
RELIABILITY AT LIFE:	90	%		
MAX. DISSIPATION FACTOR	0.50	%	100%	120 Hz, R.T.*
APPROX. INDUCTANCE	40	nH		SAMPLE STANDING WAVE
MIN. INSULATION RESISTANCE	1000	Mohm-uF		SAMPLE DECAY Vr / R.T.* / 120s / 120s
CASE STYLE:	WELDED COLD ROLLED STEEL			
BUSHING:	1ea 25 kV LOW PROFILE			
ELECTRODE STUD:	1/2-13 UNC STUD			
DIMENSIONS:	8.38 x 14.0 x 24.13	inches		
	213 x 356 x 613	mm		
APPROX. WEIGHT:	165	lbs		
	75	kg		

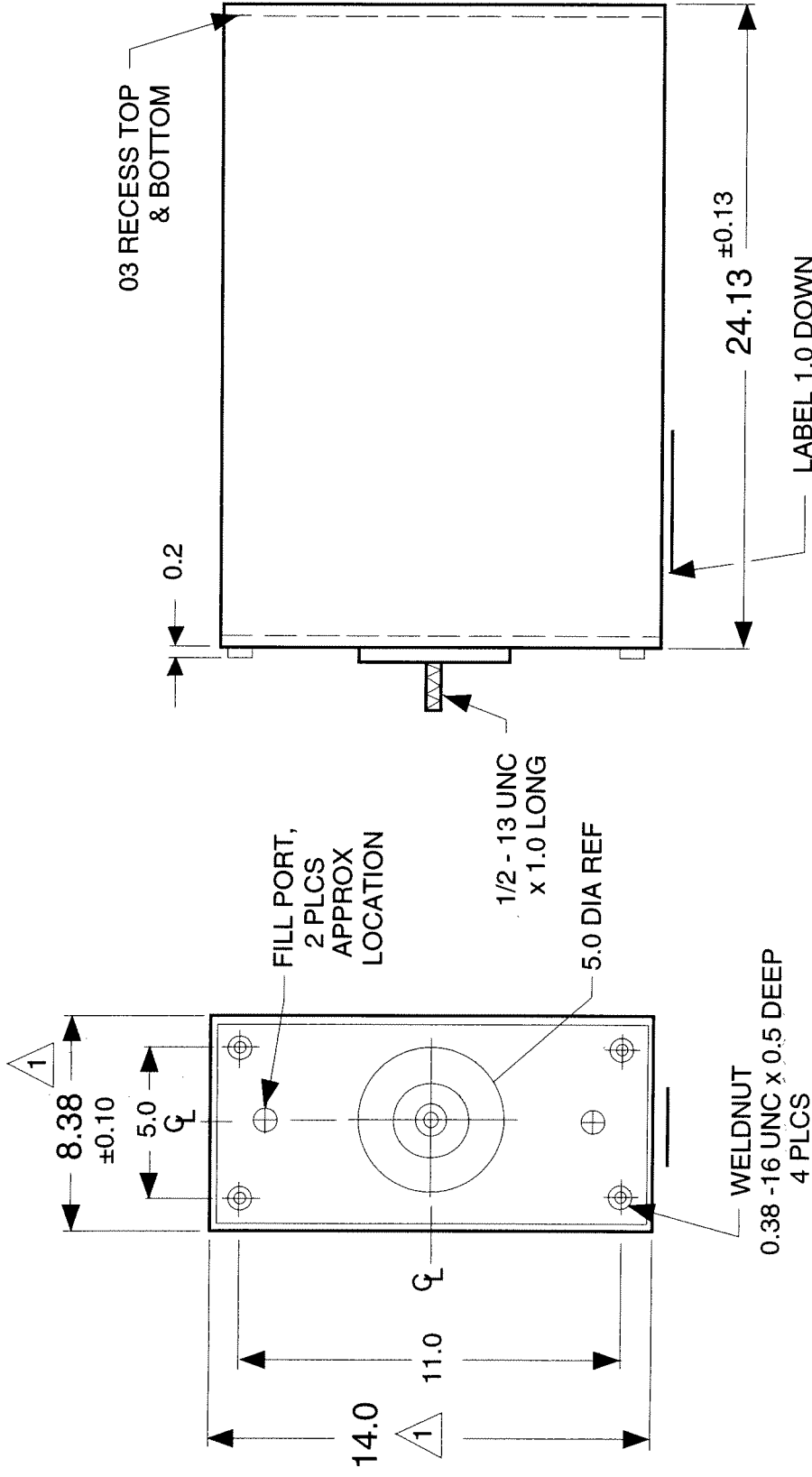
**NOTES:**

**NOTE 1:** LEAK TEST: 100 % test and inspection

**NOTE 2:** Castor Oil IMPREGNANT (non-PCB)

\*R.T. = room temperature, 23 ± 7 °C

	SIZE	FSCM	DRAWING NUMBER	REV LTR
	A	58307	33464	E
			SHEET	2



NOTES 1: DIMENSIONS HELD 2.0 UP FROM BASE & DOWN FROM COVER. 0.25 MAX BOW PER PANEL.  
 NOTES 2: STAMP BUSHING: " 20 FT-LBS MAX"

<b>GENERAL ATOMICS</b> Energy Products 4949 GREENCRAIG LANE SAN DIEGO CA. 92123		<b>OUTLINE DRAWING</b> <b>CAPACITOR, PART 33464</b> <b>30 uF ± 10 % , 20.0 kV</b>		REV LTR <b>E</b>	
TITLE	SIZE <b>A</b>	FSCM <b>58307</b>	DRAWING NUMBER <b>33464</b>	DATE 12/15/99	PAGE 9 OF 9
CONTRACT NUMBER	DO NOT SCALE DRAWING UNLESS OTHERWISE SPECIFIED DIMENSIONS ARE IN INCHES .X ± .1 .XX ± .03 .XXX ± .010	DATE	PREPARED	DESIGN ACTIVITY APPROVAL	GOVERNMENT ACTIVITY APPROVAL
PROJECT MANAGER <b>J. Bates</b>	PROJECT ENGINEER <b>J. Bates</b>	APPROVED	CHECKED BY	DRAWN BY <b>J Bates</b>	USED ON <b>APPLICATION</b>