



GENERAL ATOMICS

Energy Products

GENERAL ATOMICS ELECTRONIC SYSTEMS

CAPACITORS AND POWER SUPPLIES

CAPACITOR SPECIFICATION

PART NUMBER: **330DM525**

PARAMETER	VALUE	UNITS	Q.A.	METHOD
CAPACITANCE:	25	uF	100%	120 Hz, R.T.*
TOLERANCE:	± 10	%		
RATED VOLTAGE:	3.0	kV		
TEST VOLTAGE:	4.5	kV	100%	60 sec HIPOT
RATED ENERGY:	113	Joules		
RATED VOLTAGE REVERSAL:	20	%		
MAX. VOLTAGE REVERSAL:	80	%		
RATED PEAK CURRENT:	1.2	kA		
MAX. PEAK CURRENT (FAULT):	1.8	kA		
MAX. RMS CURRENT	12.9	A		
MAX. OPERATING TEMP.	65	oC		
MIN. OPERATING TEMP.	-20	oC		
DESIGN LIFE AT RATED:	2.0E+08	charge / discharge cycles		
DC LIFE:	5.6E+04	hours		
RELIABILITY AT LIFE:	90	%		
MAX. DISSIPATION FACTOR	0.30	%	100%	120 Hz, R.T.*
APPROX. INDUCTANCE	200	nH	SAMPLE	STANDING WAVE
MIN. INSULATION RESISTANCE	1000	Mohm-uF	SAMPLE	DECAY Vr / R.T.* / 120s / 120s
CASE STYLE:	DRAWN METAL CAN			
BUSHING:	2 ea 7.5 kV CERAMIC PILLAR, COMPRESSION SEAL			
ELECTRODE:	2 ea 1/4-20 UNF-2A			
CASE TERMINAL:	NONE			
DIMENSIONS:	2.86 x 4.56 x 4.0	inches		
	73 x 116 x 102	mm		
WEIGHT:	2.1	lbs		
	0.9	kg		

NOTES:

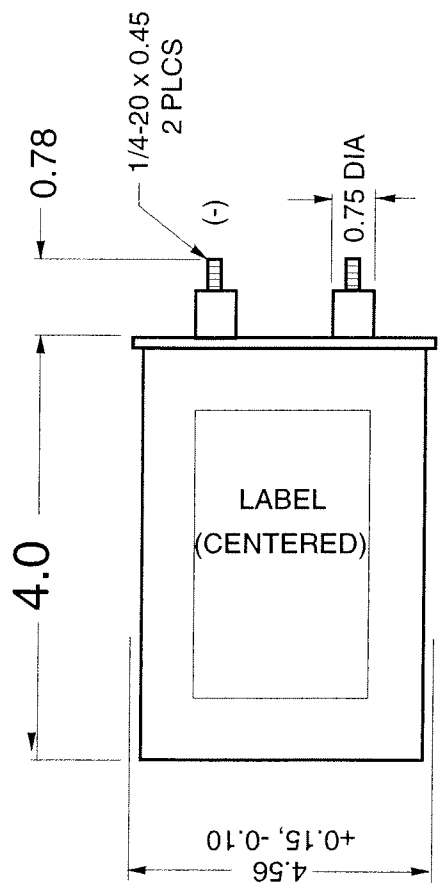
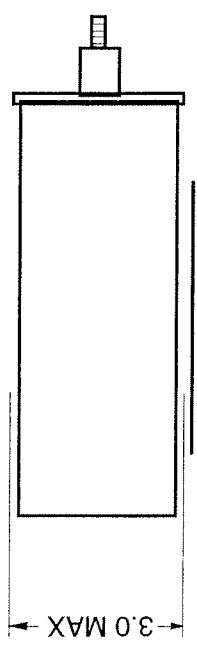
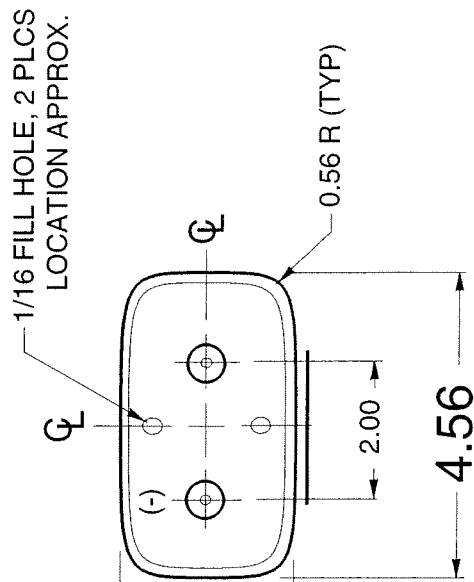
NOTE 1: LEAK TEST: 100 % test and inspection

NOTE 2: IMPREGNANT : RSO (non-PCB)

NOTE 3: LIFE AT 4.0 kV > 1.0 x 10⁴ C/D CYCLES; 25 HOURS DC

*R.T. = ROOM TEMPERATURE, 23 ± 7°C

	SIZE A	FSCM 58307	DRAWING NUMBER 39663	REV LTR D
			SHEET	2



GENERAL ATOMICS Energy Products		ELECTRONIC SYSTEMS 4949 GREENCRAIG LANE SAN DIEGO CA. 92123	
TITLE OUTLINE DRAWING			
CAPACITOR, PART No. 330DM525 25 uF ± 10 %, 3.0 kV		FSCM A 58307	DRAWING NUMBER 39663
SIZE A	FSCM A 58307	DRAWING NUMBER 39663	REV LTR D
SCALE NONE	DATE 03/29/2010	PAGE 9 OF 9	
CONTRACT NUMBER	DATE	PREPARED	CHECKED
DO NOT SCALE DRAWING UNLESS OTHERWISE SPECIFIED DIMENSIONS ARE IN INCHES .X ± .1 .XX ± .03 .XXX ± .010	PROJECT MANAGER J.B. Ennis	PROJECT ENGINEER J.B. Ennis	ENGINEER
TYPE DM	APPROVED	DESIGN ACTIVITY APPROVAL	GOVERNMENT ACTIVITY APPROVAL
COMPONENTS USED ON	CHECKED BY J.B. Ennis	DRAWN BY J.B. Ennis	DRAWN BY J.B. Ennis
NEXT ASSY APPLICATION	APPROVED	DESIGN ACTIVITY APPROVAL	GOVERNMENT ACTIVITY APPROVAL