



**GENERAL ATOMICS**

Energy Products

GENERAL ATOMICS ELECTRONIC SYSTEMS

CAPACITORS AND POWER SUPPLIES

# CAPACITOR SPECIFICATION

PART NUMBER: **32929**

<u>PARAMETER</u>	<u>VALUE</u>	<u>UNITS</u>	<u>Q.A.</u>	<u>METHOD</u>
CAPACITANCE:	3.00	uF	100%	120 Hz, R.T.*
TOLERANCE:	+10, -10	%		
RATED VOLTAGE:	100.0	kV		
TEST VOLTAGE:	110.0	kV	100%	60 sec HIPOT
RATED ENERGY:	15	kJ		
RATED VOLTAGE REVERSAL:	20	%		
MAX. VOLTAGE REVERSAL:	80	%		
RATED PEAK CURRENT:	50	kA		
MAX. PEAK CURRENT:	60	kA		
MAX. RMS CURRENT	50	A		
MAX. OPERATING TEMP.	40	°C		
MIN. OPERATING TEMP.	-10	°C		
DESIGN LIFE AT RATED:	1.0E+04	charge / discharge cycles		
DC LIFE:	2.5E+02	hours		
RELIABILITY AT LIFE:	90	%		
MAX. DISSIPATION FACTOR	0.50	%	100%	120 Hz, R.T.*
APPROX. INDUCTANCE	200	nH		SAMPLE STANDING WAVE
MIN. INSULATION RESISTANCE	1000	Mohm-uF		SAMPLE DECAY Vr / R.T.* / 120s / 120s
CASE STYLE:	WELDED METAL CAN			
BUSHING:	1 ea 150 kV BIL UPRIGHT PORCELAIN			
ELECTRODE:	1/2-13			
CASE TERMINALS	4 ea WELDNUTS			
DIMENSIONS:	11 x 14 x 26.0	inches		
	279 x 356 x 660	mm		
WEIGHT:	236.0	lbs		
	107.0	kg		

**NOTES:**

NOTE 1: LEAK TEST: 100 % test and inspection

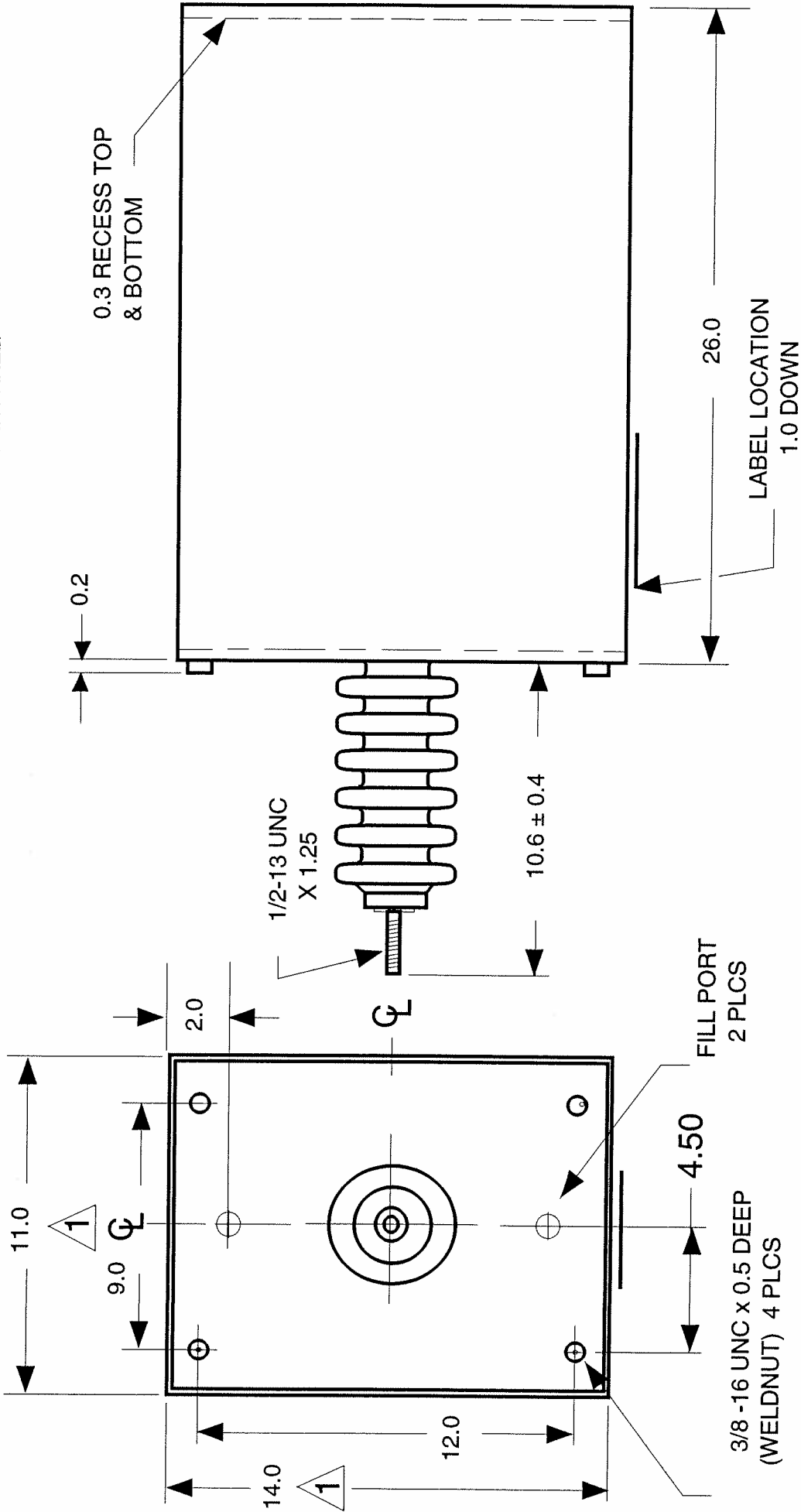
NOTE 2: Castor Oil IMPREGNANT (non-PCB)

\*R.T. = ROOM TEMPERATURE, 23 ± 7°C

SIZE	FSCM	DRAWING NUMBER	REV LTR
A	58307	32929	B
SHEET			2

NOTES: UNLESS OTHERWISE SPECIFIED:

1. DIMENSIONS HELD 2.0 UP FROM BASE & DOWN FROM COVER. 0.38 MAX BOW ALLOWABLE PER PANEL.



<p><b>GENERAL ATOMICS</b> ELECTRONIC SYSTEMS Energy Products 4949 GREENCRAIG LANE SAN DIEGO CA. 92123</p>			
<p>TITLE OUTLINE DRAWING</p>			
<p><b>PART No. 32929</b> <b>3.00 uF ± 10 % , 100.0 kV</b></p>			
SIZE	FSCM	DRAWING NUMBER	REV LTR
<b>A</b>	<b>58307</b>	<b>32929</b>	<b>B</b>
SCALE	NONE	DATE	02-26-96
SHEET 9		SHEET 9	

CONTRACT NUMBER	
DATE	
PREPARED	
CHECKED	
ENGINEER	
DESIGN ACTIVITY APPROVAL	
GOVERNMENT ACTIVITY APPROVAL	

DO NOT SCALE DRAWING UNLESS OTHERWISE SPECIFIED DIMENSIONS ARE IN INCHES .X ± .1 .XX ± .03 .XXX ± .010	
PROJECT MANAGER	
PROJECT ENGINEER	
APPROVED	
CHECKED BY	
DRAWN BY	J Bates

NEXT ASSY	USED ON
APPLICATION	