



# CAPACITOR SPECIFICATION

**PART NUMBER: 32910**

<u>PARAMETER</u>	<u>VALUE</u>	<u>UNITS</u>	<u>Q.A.</u>	<u>METHOD</u>
CAPACITANCE:	7900	uF	100%	120 Hz, R.T.*
TOLERANCE:	± 10	%		
RATED VOLTAGE:	4.0	kV		
TEST VOLTAGE:	5.0	kV	100%	60 sec HIPOT
RATED ENERGY:	63.2	kJ		
RATED VOLTAGE REVERSAL:	10	%		
MAX. VOLTAGE REVERSAL:	80	%	100 %	1 CYCLE
RATED PEAK CURRENT:	50	kA		
MAX. PEAK CURRENT (FAULT):	75	kA	100 %	1 CYCLE
MAX. CW RMS CURRENT:	150	Amps RMS		
MAX. OPERATING TEMP.	40	°C		
MIN. OPERATING TEMP.	-10	°C		
DESIGN LIFE AT RATED:	1.0E+07	charge / discharge cycles		
DC LIFE:	2.8E+03	charge / discharge cycles		
RELIABILITY AT RATED LIFE:	90	%		
MAX. DISSIPATION FACTOR:	1.00	%	100%	1000 Hz, R.T.
MAXIMUM INDUCTANCE:	160	nH	SAMPLE	STANDING WAVE
MIN. INSULATION RESISTANCE:	1000	Mohm-uF	SAMPLE	DECAY Vr/23oC/120s/120s
CASE STYLE:	FABRICATED / WELDED STEEL CAN			
BUSHING:	2 ea 25 kV LOW PROFILE			
ELECTRODE:	M12 x 1.75 THREAD x 38mm LONG			
CASE TERMINAL:	4 ea M10 x 1.5 x 12mm deep Weldnuts			
DIMENSIONS:	12.0 x 16.0 x 26.5	inches		
	305 x 406 x 673	mm		
MEASURED WEIGHT:	231	lbs		
	105	kg		

**NOTES:**

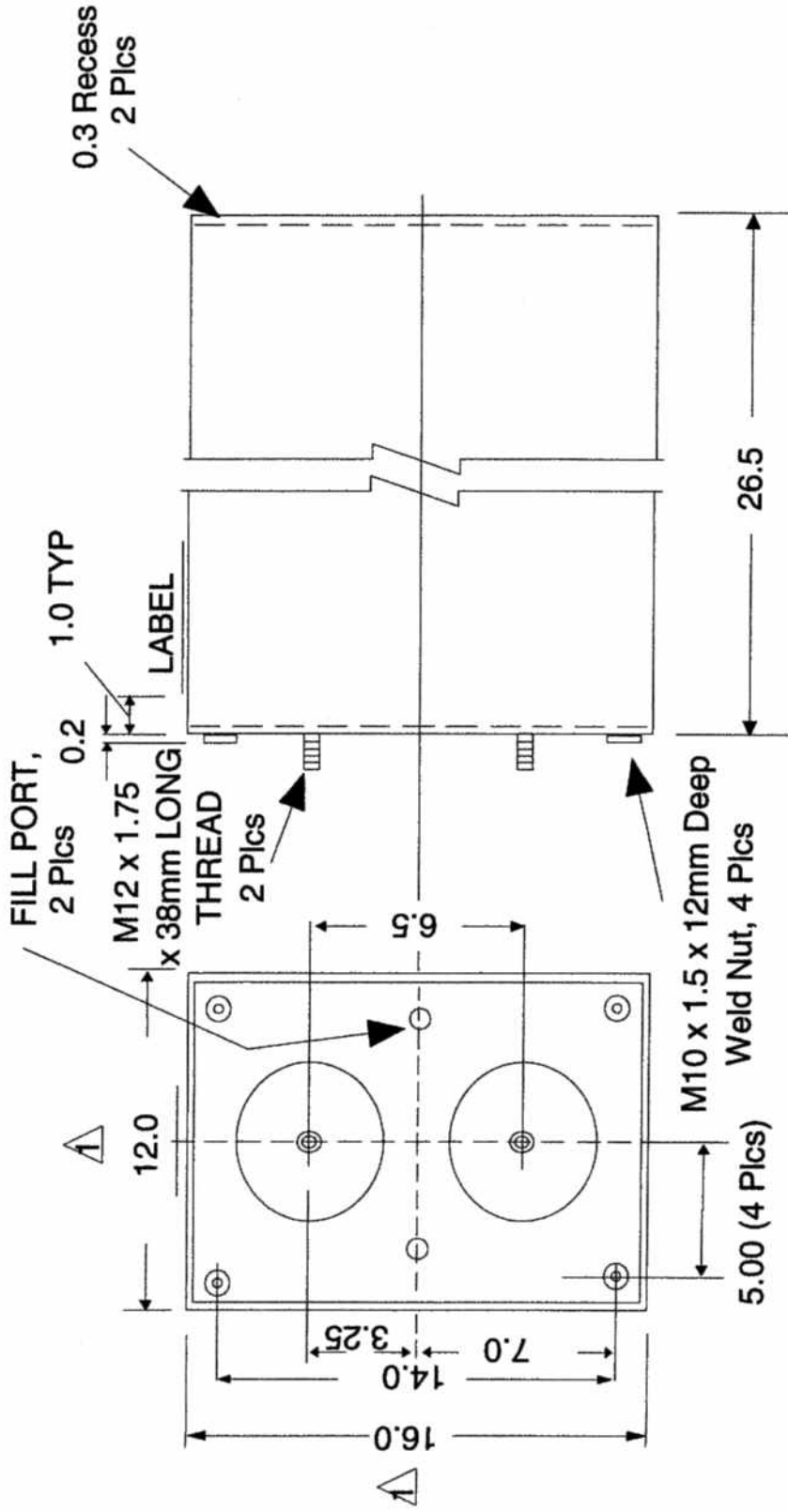
**NOTE 1:** LEAK TEST: 100 % test and inspection

**NOTE 2:** RSO IMPREGNANT (non-PCB)

**NOTE 3:** Design Life at 3.6 kV: 1.0 x 10<sup>8</sup> Charge/Discharge Cycles

\*R.T. = room temperature (23 ± 7 °C)

	SIZE <b>A</b>	FSCM <b>58307</b>	DRAWING NUMBER <b>32910</b>	REV LTR <b>D</b>
			SHEET	<b>2</b>



- 1. Dimensions held 2" up from base and down from top. 0.38" bow maximum per panel.
- 2. LABEL on side with Low Potential (-) terminal.

DO NOT SCALE DRAWING UNLESS OTHERWISE SPECIFIED DIMENSIONS ARE IN INCHES .X ± .1 .XX ± .03 .XXX ± .010		CONTRACT NUMBER		GENERAL ATOMICS Energy Products		ELECTRONIC SYSTEMS 4949 GREENCRAIG LANE SAN DIEGO CA. 92123	
PROJECT MANAGER	DATE	PREPARED	DESIGN ACTIVITY APPROVAL	SIZE	FSCM	DRAWING NUMBER	REV LTR
PROJECT ENGINEER		CHECKED	GENERAL ATOMICS	A	58307	32910	D
APPROVED			DESIGN ACTIVITY APPROVAL	TITLE			
CHECKED BY			GOVERNMENT ACTIVITY APPROVAL	OUTLINE DRAWING			
DRAWN BY			GENERAL ATOMICS	CAPACITOR, PART No. 32910			
COMPONENTS				7900.0 uF ± 10 %, 4.0 kV			
NEXT ASSY				SCALE	NONE	DATE	05/17/2006
APPLICATION				PAGE	16	OF	16