

CAPACITOR SPECIFICATION

MODEL NUMBER: **325 DM 411**

PARAMETER	VALUE	UNITS	Q.A.	METHOD
CAPACITANCE:	115	uF	100%	120 Hz, R.T.*
TOLERANCE:	± 10	%		
RATED VOLTAGE:	2.5	kV		
TEST VOLTAGE:	4.5	kV	100%	60 sec HIPOT
RATED ENERGY:	359	Joules		
RATED VOLTAGE REVERSAL:	20	%		
MAX. VOLTAGE REVERSAL:	80	%		
RATED PEAK CURRENT:	4.4	kA		
MAX. PEAK CURRENT (FAULT):	6.6	kA		
MAX. RMS CURRENT	43	A		
MAX. OPERATING TEMP.	65	°C		
MIN. OPERATING TEMP.	-20	°C		
DESIGN LIFE AT RATED:	4.0E+08	charge / discharge cycles		
DC LIFE:	1.1E+05	hours		
RELIABILITY AT LIFE:	90	%		
MAX. DISSIPATION FACTOR	0.30	%	100%	120 Hz, R.T.*
APPROX. INDUCTANCE	200	nH		SAMPLE STANDING WAVE
MIN. INSULATION RESISTANCE	1000	Mohm-uF		SAMPLE DECAY Vr / R.T.* / 120s / 120s
CASE STYLE:	DRAWN METAL CAN			
BUSHING:	2 ea 7.5 kV CERAMIC PILLAR, COMPRESSION SEAL			
ELECTRODE:	2 ea 1/4-20 UNF-2A			
CASE TERMINAL:	NONE			
DIMENSIONS:	3.75 x 4.56 x 10.50	inches		
	95 x 116 x 267	mm		
WEIGHT:	7.1	lbs		
	3.2	kg		

NOTES:

NOTE 1: LEAK TEST: 100 % test and inspection

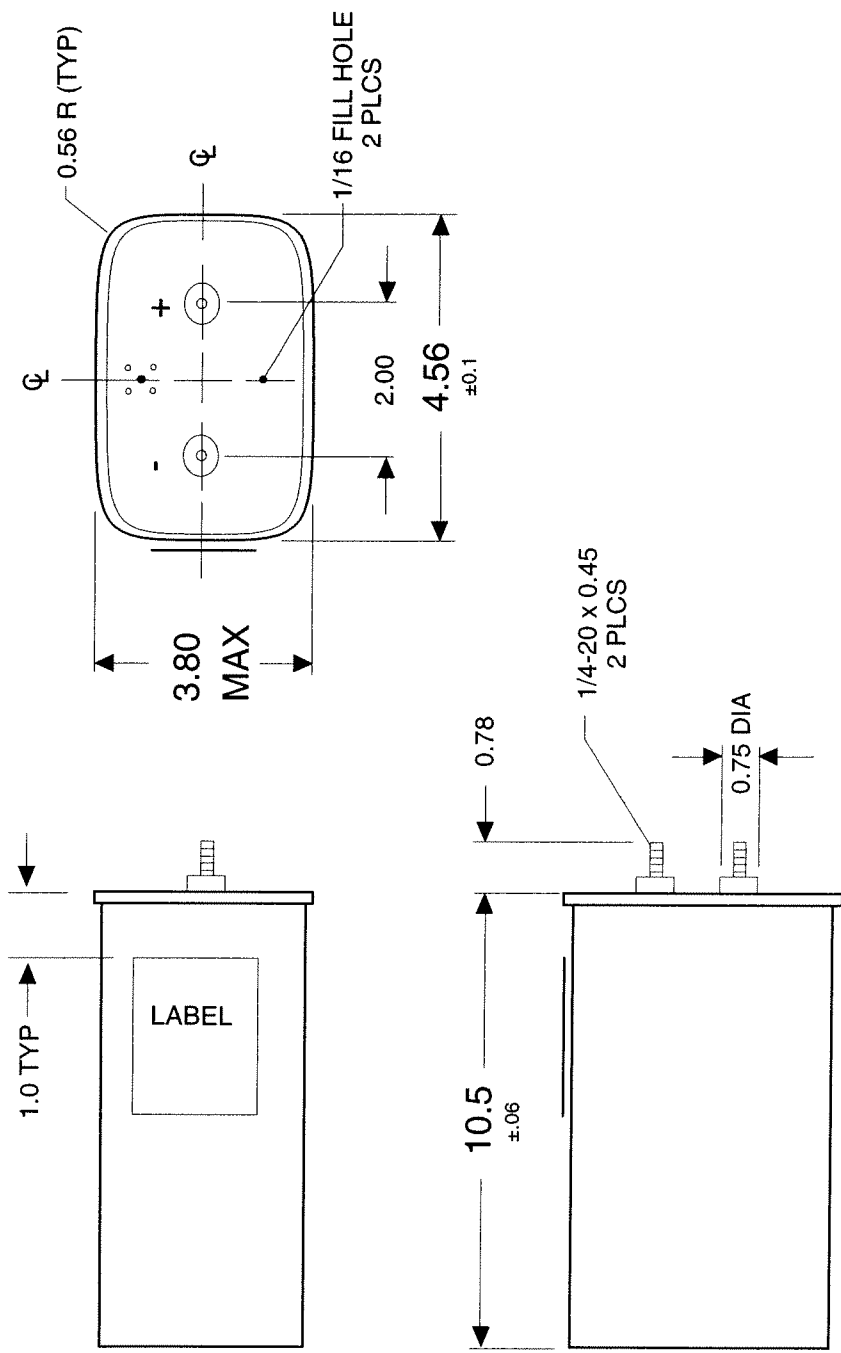
NOTE 2: IMPREGNANT : RSO (non-PCB)

NOTE 3: OPERATES IN ANY ORIENTATION

NOTE 4: SELF-HEALING, METALLIZED ELECTRODE DESIGN

*R.T. = ROOM TEMPERATURE, 23 ± 7°C

	SIZE	FSCM	DRAWING NUMBER	REV LTR
	A	29813	39662	A
			SHEET	2



Maxwell TECHNOLOGIES		MAXWELL ENERGY PRODUCTS Inc. 4949 GREENCRAIG LANE SAN DIEGO CA. 92123	
TITLE OUTLINE DRAWING			
CAPACITOR, MODEL 325 DM 411			
115 uF ± 10 %, 2.5 KV			
SIZE	FSCM	DRAWING NUMBER	REV LTR
A	29813	39662	A
SCALE	NONE	DATE	*****
			PAGE 9 OF 9

CONTRACT NUMBER	
DATE	
PREPARED	
CHECKED	
ENGINEER	
DESIGN ACTIVITY APPROVAL	
GOVERNMENT ACTIVITY APPROVAL	

DO NOT SCALE DRAWING UNLESS OTHERWISE SPECIFIED DIMENSIONS ARE IN INCHES .X ± .1 .XX ± .03 .XXX ± .010	
PROJECT MANAGER	J B ENNIS
PROJECT ENGINEER	J B ENNIS
APPROVED	
CHECKED BY	
DRAWN BY	J B ENNIS

NEXT ASSY	APPLICATION
USED ON	
COMPONENTS	
TYPE DM	