



# CAPACITOR SPECIFICATION

PART NUMBER: **32170**

PARAMETER	VALUE	UNITS	Q.A.	METHOD
CAPACITANCE:	11.0	uF	100%	120 Hz, R.T.*
TOLERANCE:	± 10	%		
RATED VOLTAGE:	60.0	kVdc		
TEST VOLTAGE:	66.0	kVdc	100%	60 sec HIPOT
RATED ENERGY:	20	kJ		
RATED VOLTAGE REVERSAL:	10	%		
MAX. VOLTAGE REVERSAL:	60	%		
MAX. PEAK CURRENT:	50	kA		
MAX. CONTINUOUS REP RATE:	0.5	ppm		
MAX. RMS CURRENT	75	A		
MAX. OPERATING TEMP.	40	°C		
MIN. OPERATING TEMP.	-10	°C		
DESIGN LIFE AT RATED:	3.7E+04	charge / discharge cycles		
DC LIFE:	3E+02	hours		
RELIABILITY AT LIFE:	90	%		
MAX. DISSIPATION FACTOR	0.60	%	100%	120 Hz, R.T.*
APPROX. INDUCTANCE	60	nH		SAMPLE STANDING WAVE
MIN. INSULATION RESISTANCE	1000	Mohm-uF		SAMPLE DECAY Vr / R.T.* / 120s / 120s
CASE STYLE:	FABRICATED WELDED STEEL CAN			
BUSHING:	60 kV LOW PROFILE			
ELECTRODE STUD:	3/4-16 UNF-2A x 1.0"			
CASE GROUND:	4 ea 3/8-16 X 0.5 deep, 1.0 boss WELDNUTS			
DIMENSIONS:	11.0 x 14.0 x 27.4	inches		
	279 x 356 x 696	mm		
APPROXIMATE WEIGHT:	255	lbs		
	116	kg		

**NOTES:**

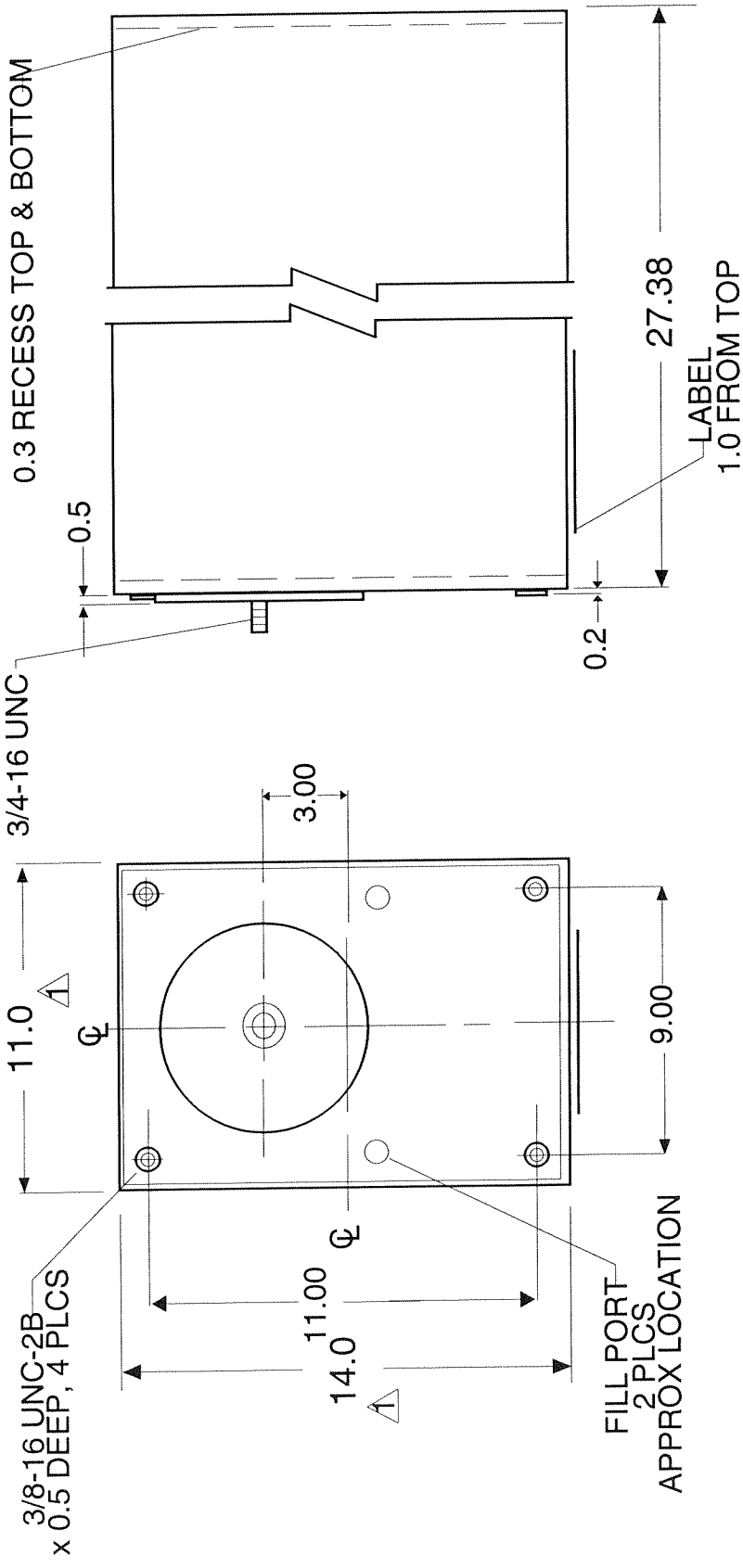
NOTE 1: LEAK TEST: 100 % test and inspection

NOTE 2: CO IMPREGNANT (non-PCB)

NOTE 3:

\*R.T. = room temperature

	SIZE	FSCM	DRAWING NUMBER	REV LTR
	A	58307	32170	E
	SHEET			2



NOTES:  $\triangle$  DIMENSIONS HELD 2" UP FROM BASE & DOWN FROM COVER.  
 0.38 MAX. BOW PER PANEL.

GENERAL ATOMICS Energy Products		ELECTRONIC SYSTEMS INC 4949 GREENCRAIG LANE SAN DIEGO CA. 92123	
TITLE: <b>CAPACITOR, PART No. 32170</b> <b>11.0 uF ± 10 % , 60.0 kV</b>		OUTLINE DRAWING	
SIZE <b>A</b>	FSCM <b>58307</b>	DRAWING NUMBER <b>32170</b>	REV LTR <b>E</b>
SCALE <b>NONE</b>	DATE <b>10/16/03</b>	<b>PAGE 9 OF 9</b>	
CONTRACT NUMBER		DO NOT SCALE DRAWING UNLESS OTHERWISE SPECIFIED DIMENSIONS ARE IN INCHES .X ± .1 .XX ± .03 .XXX ± .010	
DATE		PROJECT MANAGER	
PREPARED		PROJECT ENGINEER	
CHECKED		APPROVED	
ENGINEER		DESIGN ACTIVITY APPROVAL	
GOVERNMENT ACTIVITY APPROVAL		CHECKED BY	
DRAWN BY		J Bates	
NEXT ASSY	USED ON	APPLICATION	