



CAPACITOR SPECIFICATION

PART NUMBER: **320 DM 417**

PARAMETER	VALUE	UNITS	Q.A.	METHOD
CAPACITANCE:	175	uF	100%	120 Hz, R.T.*
TOLERANCE:	± 10	%		
RATED VOLTAGE:	2.0	kV		
TEST VOLTAGE:	4.0	kV	100%	60 sec HIPOT
RATED ENERGY:	350	Joules		
RATED VOLTAGE REVERSAL:	20	%		
MAX. VOLTAGE REVERSAL:	80 (FAULT)	%		
RATED PEAK CURRENT:	5.4	kA		
MAX. PEAK CURRENT (FAULT):	8.1 (FAULT)	kA		
MAX. RMS CURRENT	53	A		
MAX. OPERATING TEMP.	65	°C		
MIN. OPERATING TEMP.	-20	°C		
DESIGN LIFE AT RATED:	3.2E+08	charge / discharge cycles		
DC LIFE:	8.9E+04	hours		
RELIABILITY AT LIFE:	90	%		
MAX. DISSIPATION FACTOR	0.30	%	100%	120 Hz, R.T.*
APPROX. INDUCTANCE	200	nH	SAMPLE	STANDING WAVE
MIN. INSULATION RESISTANCE	1000	Mohm-uF	SAMPLE	DECAY Vr / R.T.* / 120s / 120s
CASE STYLE:	DRAWN METAL CAN			
BUSHING:	2 ea 7.5 kV CERAMIC PILLAR, COMPRESSION SEAL			
ELECTRODE:	2 ea 1/4-20 UNF-2A			
DIMENSIONS:	3.75 x 4.56 x 10.50	inches		
	95 x 116 x 267	mm		
WEIGHT:	7.1	lbs		
	3.2	kg		

NOTES:

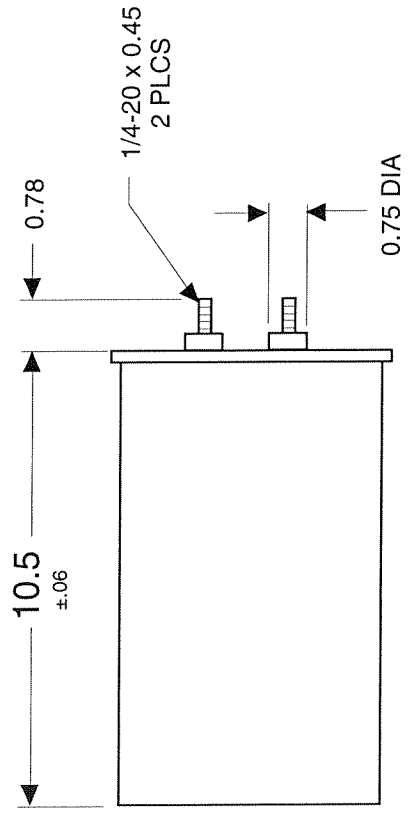
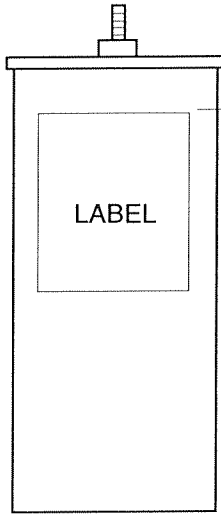
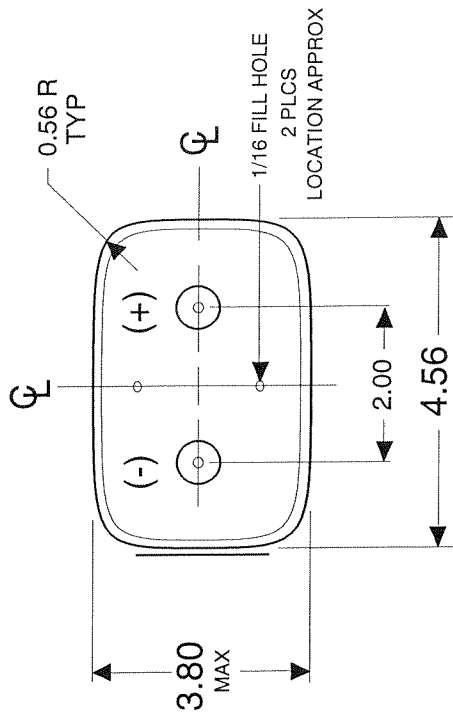
NOTE 1: LEAK TEST: 100 % test and inspection

NOTE 2: IMPREGNANT : RSO (non-PCB)

NOTE 3: OPERATE IN ANY POSITION

*R.T. = ROOM TEMPERATURE, 23 ± 7°C

	SIZE A	FSCM 58307	DRAWING NUMBER 39660	REV LTR B
			SHEET	2



GENERAL ATOMICS Energy Products		ELECTRONIC SYSTEMS 4949 GREENCRAIG LANE SAN DIEGO CA. 92123	
CONTRACT NUMBER		TITLE	
DO NOT SCALE DRAWING UNLESS OTHERWISE SPECIFIED DIMENSIONS ARE IN INCHES .X # .1 .XX ± .03 .XXX ± .010		OUTLINE DRAWING CAPACITOR, PART No. 320 DM 417 175 uF ± 10 %, 2.0 kV	
PROJECT MANAGER J B ENNIS	DATE	FSCM 58307	DRAWING NUMBER 39660
PROJECT ENGINEER APPROVED	PREPARED CHECKED ENGINEER	SCALE NONE	DATE 03/03/99
CHECKED BY J BATES	DESIGN ACTIVITY APPROVAL GOVERNMENT ACTIVITY APPROVAL	SIZE A	REV LTR B
NEXT ASSY APPLICATION	DRAWN BY J BATES	TITLE	PAGE 9 OF 9