



**GENERAL ATOMICS**

Energy Products

GENERAL ATOMICS ELECTRONIC SYSTEMS

CAPACITORS AND POWER SUPPLIES

# CAPACITOR SPECIFICATION

**PART NUMBER: 320DM410**

PARAMETER	VALUE	UNITS	Q.A.	METHOD
CAPACITANCE:	100	uF	100%	120 Hz, R.T.*
TOLERANCE:	± 10	%		
RATED VOLTAGE:	2.0	kV		
TEST VOLTAGE:	4.0	kV	100%	60 sec HIPOT
RATED ENERGY:	200	Joules		
RATED VOLTAGE REVERSAL:	20	%		
MAX. VOLTAGE REVERSAL:	80 (FAULT)	%		
RATED PEAK CURRENT:	3.1	kA		
MAX. PEAK CURRENT (FAULT):	4.7 (FAULT)	kA		
MAX. RMS CURRENT	35	A		
MAX. OPERATING TEMP.	65	°C		
MIN. OPERATING TEMP.	-20	°C		
DESIGN LIFE AT RATED:	3.2E+08	charge / discharge cycles		
DC LIFE:	8.9E+04	hours		
RELIABILITY AT LIFE:	90	%		
MAX. DISSIPATION FACTOR	0.30	%	100%	120 Hz, R.T.*
APPROX. INDUCTANCE	200	nH	SAMPLE	STANDING WAVE
MIN. INSULATION RESISTANCE	1000	Mohm-uF	SAMPLE	DECAY Vr / R.T.* / 120s / 120s
CASE STYLE:	DRAWN METAL CAN			
BUSHING:	2 ea 7.5 kV CERAMIC PILLAR, COMPRESSION SEAL			
ELECTRODE:	2 ea 1/4-20 UNF-2A			
DIMENSIONS:	3.75 x 4.56 x 7.25	inches		
	95 x 116 x 184	mm		
WEIGHT:	4.9	lbs		
	2.2	kg		

**NOTES:**

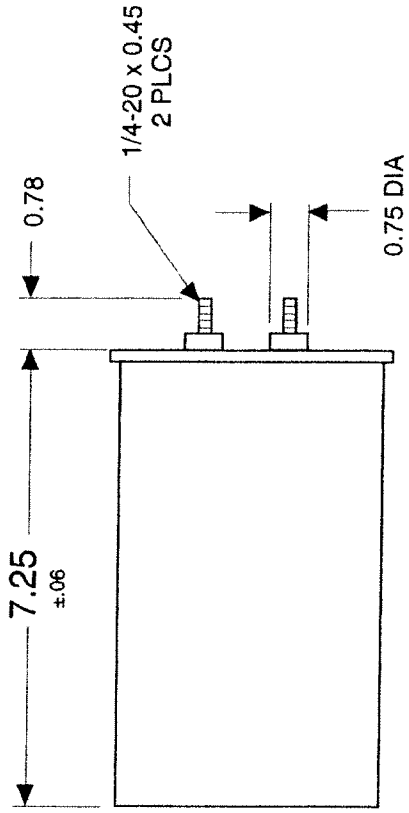
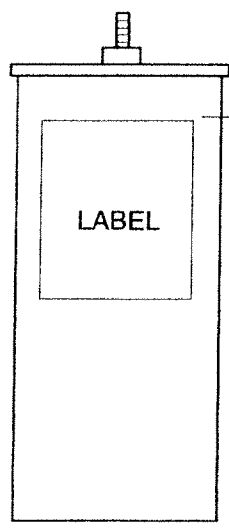
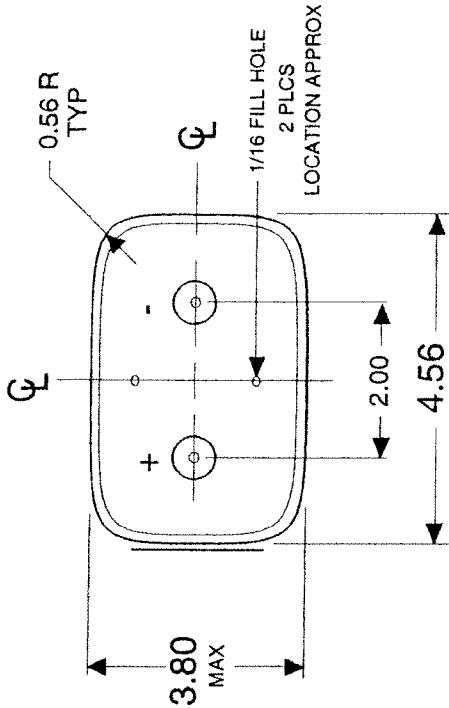
NOTE 1: LEAK TEST: 100 % test and inspection

NOTE 2: IMPREGNANT : RSO (non-PCB)

NOTE 3: OPERATE IN ANY POSITION

\*R.T. = ROOM TEMPERATURE, 23 ± 7°C

	SIZE <b>A</b>	FSCM <b>58307</b>	DRAWING NUMBER <b>39658</b>	REV LTR <b>A</b>
			SHEET	<b>2</b>



<b>GENERAL ATOMICS</b> Energy Products 4949 GREENCRAIG LANE SAN DIEGO, CA. 92123		<b>OUTLINE DRAWING</b> <b>CAPACITOR, PART No. 320DM410</b> <b>100 uF ± 10 %, 2.0 KV</b>		FSCM <b>58307</b>	DRAWING NUMBER <b>39658</b>	REV LTR <b>A</b>
CONTRACT NUMBER	DATE	PREPARED	CHECKED	ENGINEER	DESIGN ACTIVITY APPROVAL	GOVERNMENT ACTIVITY APPROVAL
DO NOT SCALE DRAWING UNLESS OTHERWISE SPECIFIED DIMENSIONS ARE IN INCHES X ± .1 .XX ± .03 .XXX ± .010	PROJECT MANAGER <b>J B ENNIS</b>	PROJECT ENGINEER <b>J B ENNIS</b>	APPROVED	CHECKED BY <b>J BATES</b>	NEXT ASSY <b>USED ON</b>	APPLICATION
SCALE <b>NONE</b>	DATE <b>03/15/99</b>	PAGE <b>9 OF 9</b>				