



CAPACITOR SPECIFICATION

PART NUMBER: **31687**

<u>PARAMETER</u>	<u>VALUE</u>	<u>UNITS</u>	<u>Q.A.</u>	<u>METHOD</u>
CAPACITANCE:	0.04	uF	100%	120 Hz, R.T.*
TOLERANCE:	± 10	%		
RATED VOLTAGE:	36.0	kV		
TEST VOLTAGE:	40.0	kV	100%	60 sec HIPOT
RATED ENERGY:	26	Joules		
RATED VOLTAGE REVERSAL:	25	%		
MAX. VOLTAGE REVERSAL:	80	%		
MAX. PEAK CURRENT:	25	kA		
MAX. CONTINUOUS REP RATE:	100	pps		
MAX. RMS CURRENT	25	A		
MAX. OPERATING TEMP.	40	°C		
MIN. OPERATING TEMP.	-10	°C		
DESIGN LIFE AT RATED:	1.0E+08	charge / discharge cycles		
DC LIFE:	>100,000	hours		
RELIABILITY AT LIFE:	90	%		
MAX. DISSIPATION FACTOR	0.25	%	100%	120 Hz, R.T.*
APPROX. INDUCTANCE	40	nH	SAMPLE	STANDING WAVE
MIN. INSULATION RESISTANCE	1000	Mohm-uF	SAMPLE	DECAY Vr / R.T.* / 120s / 120s
CASE STYLE:	DOUBLE ENDED PLASTIC			
BUSHING:	FEMALE ELECTRODE			
ELECTRODE STUD:	2 ea 0.38-16 x 0.5 UNC			
DIMENSIONS:	4.0 x 6.0 x 5.6	inches		
	102 x 152 x 143	mm		
WEIGHT:	6.1	lbs		
	2.8	kg		

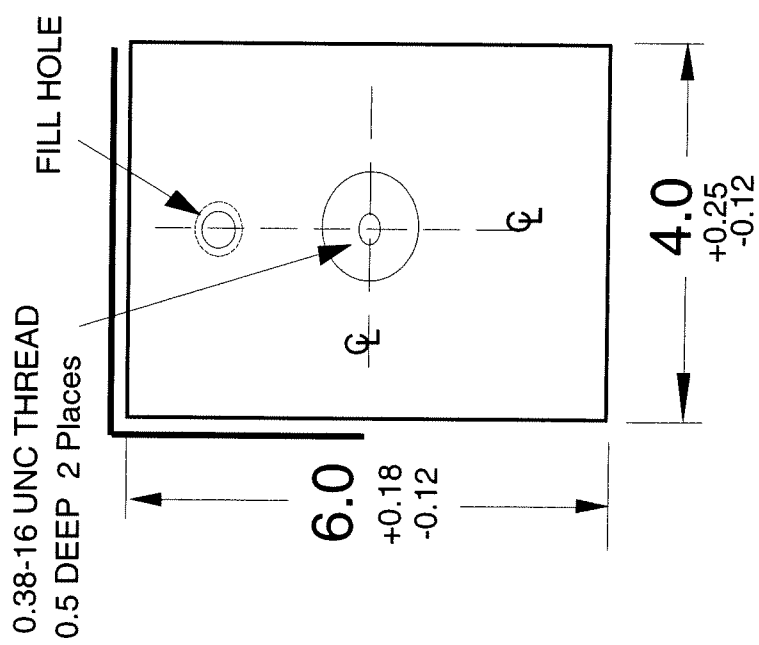
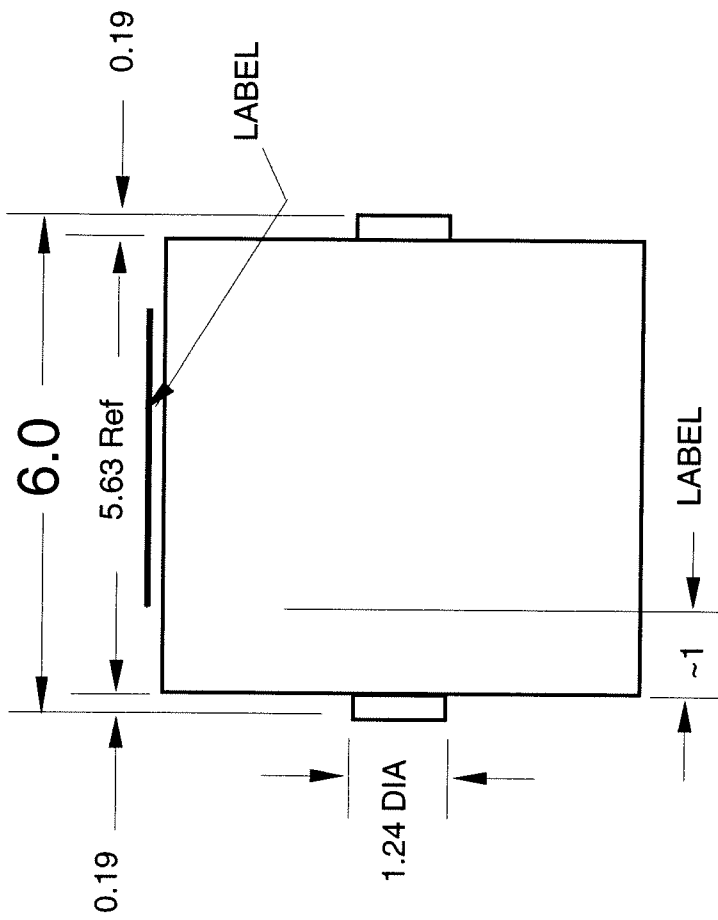
NOTES:

NOTE 1: LEAK TEST: 100 % test and inspection

NOTE 2: BTDP IMPREGNANT (non-PCB)

*R.T. = ROOM TEMPERATURE

	SIZE	FSCM	DRAWING NUMBER	REV
	A	58307	31687	LTR
				D
			SHEET	2



GENERAL ATOMICS Energy Products		ELECTRONIC SYSTEMS 4949 GREENCRAIG LANE SAN DIEGO CA. 92123	
TITLE OUTLINE DRAWING		SIZE A	
PART No. 31687		DRAWING NUMBER 31687	
0.04 uF ± 10 % , 36.0 kV		SCALE NONE	
CONTRACT NUMBER		DATE	
DO NOT SCALE DRAWING UNLESS OTHERWISE SPECIFIED DIMENSIONS ARE IN INCHES .X ± .1 .XX ± .03 .XXX ± .010		PREPARED	
PROJECT MANAGER		CHECKED	
PROJECT ENGINEER		ENGINEER	
APPROVED		DESIGN ACTIVITY APPROVAL	
CHECKED BY		GOVERNMENT ACTIVITY APPROVAL	
DRAWN BY		REVISION	
NEXT ASSY	USED ON	REV	LTR
APPLICATION		D	D
		PAGE 9 OF 9	