



# CAPACITOR SPECIFICATION

MODEL NUMBER: 315 DM 410

PARAMETER	VALUE	UNITS	Q.A.	METHOD
CAPACITANCE:	100	uF	100%	120 Hz, R.T.*
TOLERANCE:	± 10	%		
RATED VOLTAGE:	1.5	kV		
TEST VOLTAGE:	2.5	kV	100%	60 sec HIPOT
RATED ENERGY:	113	Joules		
RATED VOLTAGE REVERSAL:	20	%		
MAX. VOLTAGE REVERSAL:	80	%		
RATED PEAK CURRENT:	2.5	kA		
MAX. PEAK CURRENT (FAULT):	3.75	kA		
MAX. RMS CURRENT	28	A		
MAX. OPERATING TEMP.	65	°C		
MIN. OPERATING TEMP.	-20	°C		
DESIGN LIFE AT RATED:	2.0E+08	charge / discharge cycles		
DC LIFE:	5.6E+04	hours		
RELIABILITY AT LIFE:	90	%		
MAX. DISSIPATION FACTOR	0.30	%	100%	120 Hz, R.T.*
APPROX. INDUCTANCE	200	nH	SAMPLE	STANDING WAVE
MIN. INSULATION RESISTANCE	1000	Mohm-uF	SAMPLE	DECAY Vr / R.T.* / 120s / 120s
CASE STYLE:	DRAWN METAL CAN			
BUSHING:	2 ea 7.5 kV CERAMIC PILLAR, COMPRESSION SEAL			
ELECTRODE:	2 ea 1/4-20 UNF-2A			
CASE TERMINAL:	NONE			
DIMENSIONS:	2.86 x 4.56 x 5.0	inches		
	73 x 116 x 127	mm		
WEIGHT:	2.6	lbs		
	1.2	kg		

**NOTES:**

NOTE 1: LEAK TEST: 100 % test and inspection

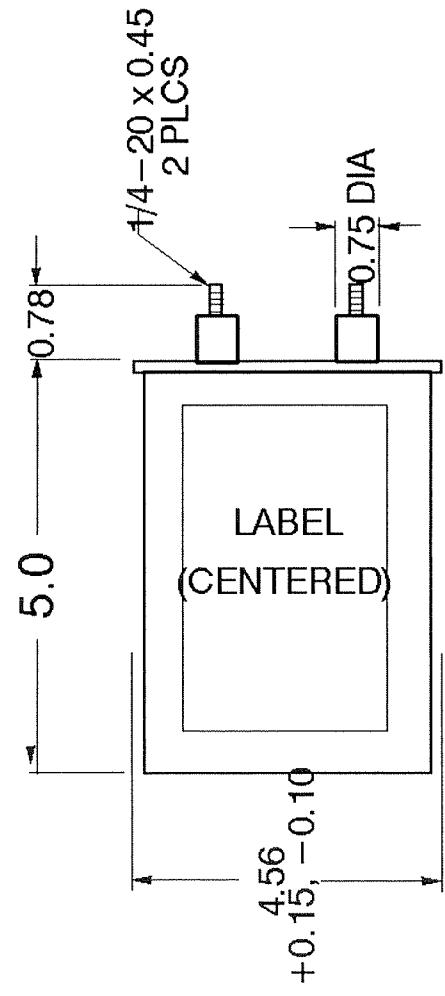
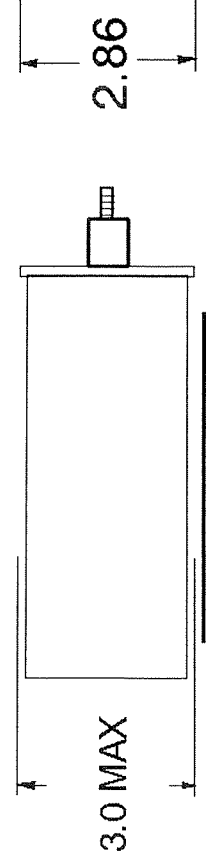
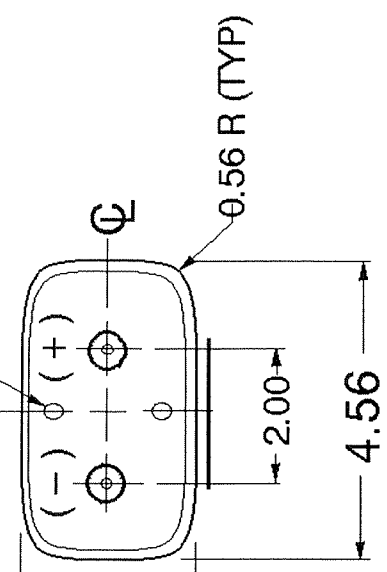
NOTE 2: IMPREGNANT : RSO (non-PCB)

NOTE 3: LIFE AT 2.5 kV > 1.0 x 10<sup>4</sup> C/D CYCLES; 25 HOURS DC

\*R.T. = ROOM TEMPERATURE, 23 ± 7°C

CAPACITOR SPECIFICATION	SIZE	FSCM	DRAWING NUMBER	REV LTR
	A	58307	39615	J
			SHEET	2

1/16 FILL HOLE, 2 PLCS  
LOCATION APPROX.



<p><b>GENERAL ATOMICS</b> Energy Products</p> <p>4949 GREENCRAIG LANE SAN DIEGO CA. 92123</p>		<p><b>CONTRACT NUMBER</b></p>	
<p><b>TITLE</b> OUTLINE DRAWING</p>		<p>DATE</p>	
<p><b>CAPACITOR, MODEL 315 DM 410</b></p>		<p>PREPARED</p>	
<p><b>100 uF ± 10 % , 1.5 kV</b></p>		<p>CHECKED</p>	
<p>SIZE</p>	<p>FSCM</p>	<p>ENGINEER</p>	
<p><b>A</b></p>	<p><b>58307</b></p>	<p>SIGN ACTIVITY APPROVAL</p>	
<p>DRAWING NUMBER</p>		<p>VERNMENT ACTIVITY APPROVAL</p>	
<p><b>39615</b></p>		<p>PROJECT MANAGER</p>	
<p>SCALE NONE</p>		<p>PROJECT ENGINEER</p>	
<p>REV LTR</p>		<p>APPROVED</p>	
<p><b>J</b></p>		<p>CHECKED BY</p>	
<p>PAGE 9 OF 9</p>		<p>DRAWN BY</p>	
<p>APPLICATION</p>		<p>TYPE DM</p>	
<p>USED ON</p>		<p>COMPONENTS</p>	
<p>REVISIONS</p>		<p>REVISIONS</p>	