

CAPACITOR SPECIFICATION

PART NUMBER: **31432**

<u>PARAMETER</u>	<u>VALUE</u>	<u>UNITS</u>	<u>Q.A.</u>	<u>METHOD</u>
CAPACITANCE:	1.8	uF	100%	120 Hz, R.T.*
TOLERANCE:	±10	%		
RATED VOLTAGE:	40	kV		
TEST VOLTAGE:	45	kV	100%	60 sec HIPOT
RATED ENERGY:	1.4	kJ		
RATED VOLTAGE REVERSAL:	20	%		
MAX. VOLTAGE REVERSAL:	80	%		
MAX. PEAK CURRENT:	50	kA		
MAX. CONTINUOUS REP RATE:	1	pps		
MAX. RMS CURRENT	25	A		
MAX. OPERATING TEMP.	40	°C		
MIN. OPERATING TEMP.	-10	°C		
DESIGN LIFE AT RATED:	1.0E+05	charge / discharge cycles		
DC LIFE:	4.0E+04	hours		
RELIABILITY AT LIFE:	90	%		
MAX. DISSIPATION FACTOR	0.50	%	100%	120 Hz, R.T.*
APPROX. INDUCTANCE	50	nH	SAMPLE	STANDING WAVE
MIN. INSULATION RESISTANCE	1000	Mohm-uF	SAMPLE	DECAY Vr / R.T.* / 120s / 120s
CASE STYLE:	Single-Ended Plastic Case (Type "SS")			
BUSHING:	100 kV "SS" Header			
TERMINALS:	2 ea RAILS with 2 ea 10-32 UNF-2B Holes			
DIMENSIONS:	4.0 x 6.0 x 29	inches		
	102 x 152 x 737	mm		
WEIGHT:	33.2	lbs		
	15.1	kg		

NOTES:

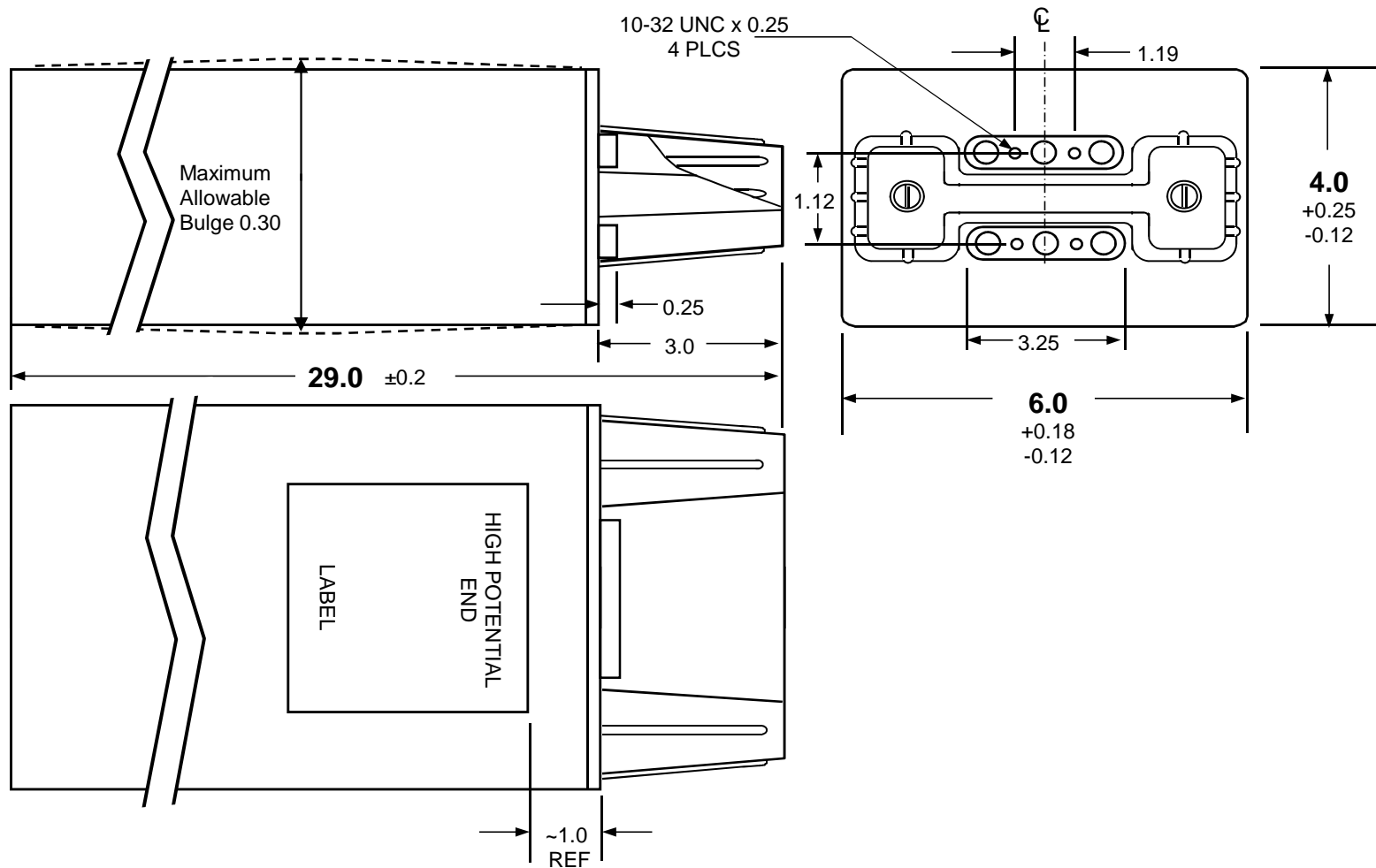
NOTE 1: LEAK TEST: 100 % test and inspection


NOTE 2: CO IMPREGNANT (non-PCB)

NOTE 3: CONSULT FACTORY FOR BURST MODE OPERATING LIMITS

* R.T. = Room temperature (23 ± 7 °C)

SIZE	FSCM	DRAWING NUMBER	REV LTR
A	58307	31432	K
SHEET 2			



		UNLESS OTHERWISE SPECIFIED DIMENSIONS ARE IN INCHES. TOLERANCES ARE: DECIMALS ANGLES .X ± .1 ± 2° .XX ± .03 .XXX ± .010 DO NOT SCALE DRAWING	CONTRACT NO.		 GENERAL ATOMICS ELECTRONIC SYSTEMS 4949 GREENCRAIG LANE SAN DIEGO, CA 92123			
			APPROVALS					
		TREATMENT	DRAWN		TITLE CAPACITOR PART No. 31432 1.8 uF ±10%, 40 kV			
		FINISH	CHECKED					
NEXT ASSY	USED ON	SIMILAR TO	ENGR		SIZE	FSCM	DRAWING NUMBER	REV LTR
		SPECIAL MARKING SYS	DESIGN ACTIVITY		A	58307	31432	K
APPLICATION			GOVERNMENT ACTIVITY		SCALE - NONE		DATE: 11/03/86	SHEET 9 of 9