



CAPACITOR SPECIFICATION

PART NUMBER: 31427

<u>PARAMETER</u>	<u>VALUE</u>	<u>UNITS</u>	<u>Q.A.</u>	<u>METHOD</u>
CAPACITANCE:	0.4	uF	100%	120 Hz, R.T.*
TOLERANCE:	+10, -10	%		
RATED VOLTAGE:	100.0	kV		
TEST VOLTAGE:	100.0	kV	100%	60 sec HIPOT
RATED ENERGY:	2	kJ		
RATED VOLTAGE REVERSAL:	20	%		
MAX. VOLTAGE REVERSAL:	80	%		
MAX. PEAK CURRENT:	35	kA		
MAX. CONTINUOUS REP RATE:	1	pps		
MAX. RMS CURRENT	25	A		
MAX. OPERATING TEMP.	40	°C		
MIN. OPERATING TEMP.	-10	°C		
DESIGN LIFE AT RATED:	1.5E+04	charge / discharge cycles		
DC LIFE:	1500	hours		
RELIABILITY AT LIFE:	90	%		
MAX. DISSIPATION FACTOR	0.35	%	100%	120 Hz, R.T.*
APPROX. INDUCTANCE	40	nH	SAMPLE	STANDING WAVE
MIN. INSULATION RESISTANCE	1000	Mohm-uF	SAMPLE	DECAY Vr / R.T.* / 120s / 120s
CASE STYLE:	Single-Ended Plastic Case (Type "SS")			
BUSHING:	100 kV "SS"			
TERMINALS:	2 ea RAILS with 2 ea 10-32 UNF-2B Threaded Holes			
DIMENSIONS:	4.0 x 6.0 x 29.0	inches		
	102 x 152 x 737	mm		
WEIGHT:	32.9	lbs		
	15.0	kg		

NOTES:

NOTE 1: LEAK TEST: 100 % test and inspection

NOTE 2: CO IMPREGNANT (non-PCB)

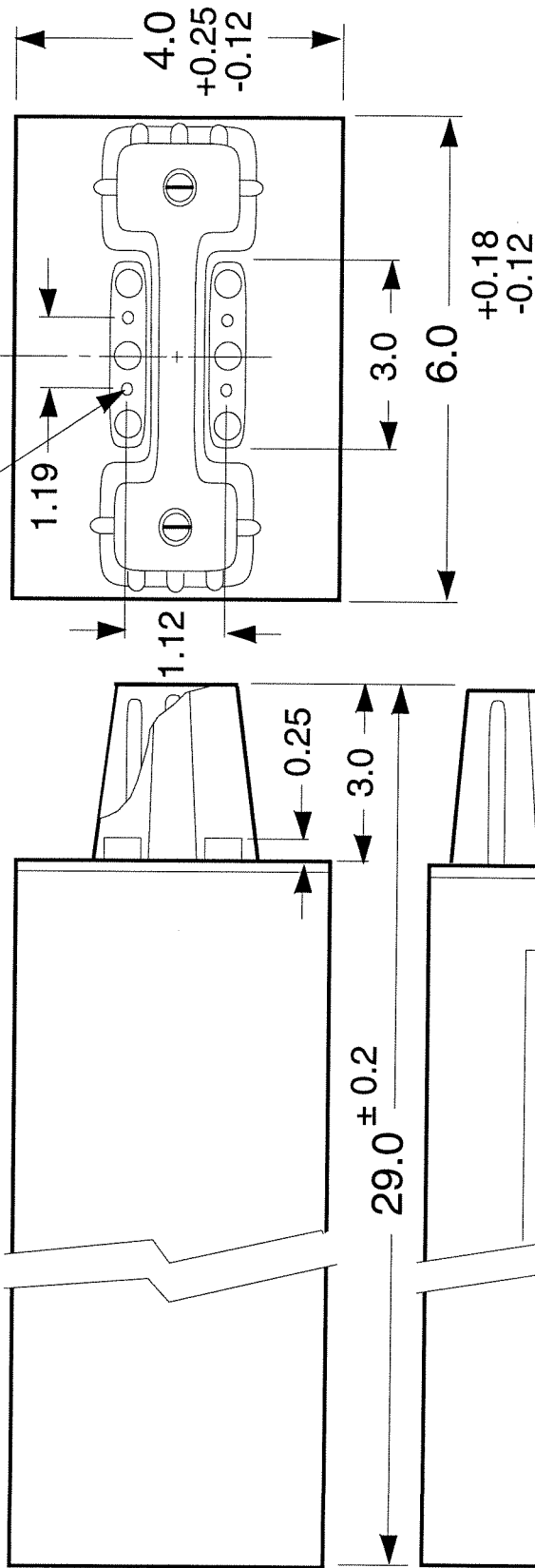
NOTE 3: CONSULT FACTORY FOR BURST MODE OPERATING LIMITS

NOTE 4: > 75kV REQUIRES OPERATION UNDER DIELECTRIC GAS OR OIL

*R.T. = room temperature

I	SIZE	FSCM	DRAWING NUMBER	REV LTR
	A	58307	31427	J
			SHEET	2

10-32 UNC x 0.25 HOLE
4 PLCS



GENERAL ATOMICS Energy Products		ELECTRONIC SYSTEMS 4949 GREENCRAIG LANE SAN DIEGO CA. 92123	
TITLE: OUTLINE DRAWING			
PART No. 31427			
0.40 uF ± 10 %, 100.0 kV			
SIZE	FSCM	DRAWING NUMBER	REV LTR
A	58307	31427	J
SCALE	NONE	DATE	12/12/95
		PAGE	9 OF 9

DO NOT SCALE DRAWING UNLESS OTHERWISE SPECIFIED DIMENSIONS ARE IN INCHES .X ± .1 .XX ± .03 .XXX ± .010	CONTRACT NUMBER	
	DATE	
PROJECT MANAGER	PREPARED	
PROJECT ENGINEER	CHECKED	
APPROVED	ENGINEER	
CHECKED BY	DESIGN ACTIVITY APPROVAL	
DRAWN BY	GOVERNMENT ACTIVITY APPROVAL	
NEXT ASSY APPLICATION	USED ON	
		Robert Cooper