

CAPACITOR SPECIFICATION

PART NUMBER: **31176**

<u>PARAMETER</u>	<u>VALUE</u>	<u>UNITS</u>	<u>Q.A.</u>	<u>METHOD</u>
CAPACITANCE:	0.20	uF	100%	120 Hz, R.T.*
TOLERANCE:	± 10	%		
RATED VOLTAGE:	60	kV		
TEST VOLTAGE:	65	kV	100%	60 sec HIPOT
RATED ENERGY:	360	Joules		
RATED VOLTAGE REVERSAL:	20	%		
MAX. VOLTAGE REVERSAL:	80	%		
MAX. PEAK CURRENT:	20	kA		
MAX. CONTINUOUS REP RATE:	1 NOTE 1	pps		
MAX. RMS CURRENT	18	A		
MAX. OPERATING TEMP.	40	°C		
MIN. OPERATING TEMP.	-10	°C		
DESIGN LIFE AT RATED:	5.0E+04	charge / discharge cycles		
DC LIFE:		hours		
RELIABILITY AT LIFE:	90	%		
MAX. DISSIPATION FACTOR	0.50	%	100%	120 Hz, R.T.*
APPROX. INDUCTANCE	20	nH	SAMPLE	STANDING WAVE
MIN. INSULATION RESISTANCE	1000	Mohm-uF	SAMPLE	DECAY Vr / R.T.* / 120s / 120s
CASE STYLE:	SINGLE ENDED PLASTIC CASE			
BUSHING:	RAILS			
ELECTRODE:	10-32 x .25 UNF			
DIMENSIONS:	2.30 x 5.90 x 12.8	inches		
		mm		
WEIGHT:	8.0	lbs		
	3.7	kg		

NOTES:

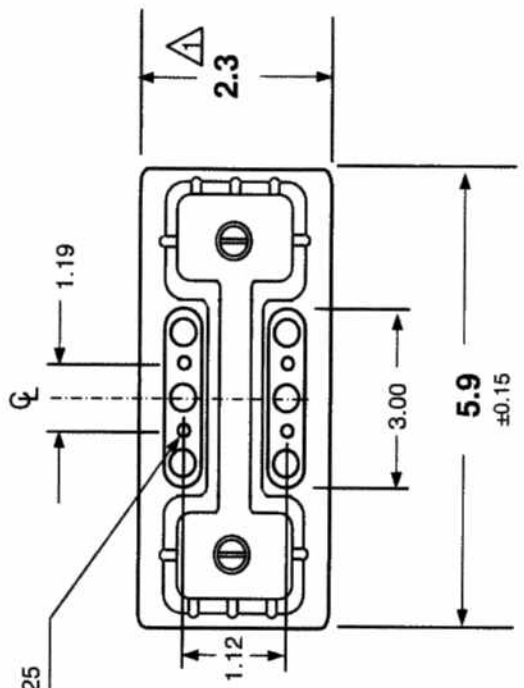
NOTE 1: CONSULT FACTORY FOR BURST MODE OPERATING LIMITS

NOTE 2: CASTOR OIL IMPREGNANT (non-PCB)

NOTE 3: LEAK TEST: 100 % test and inspection

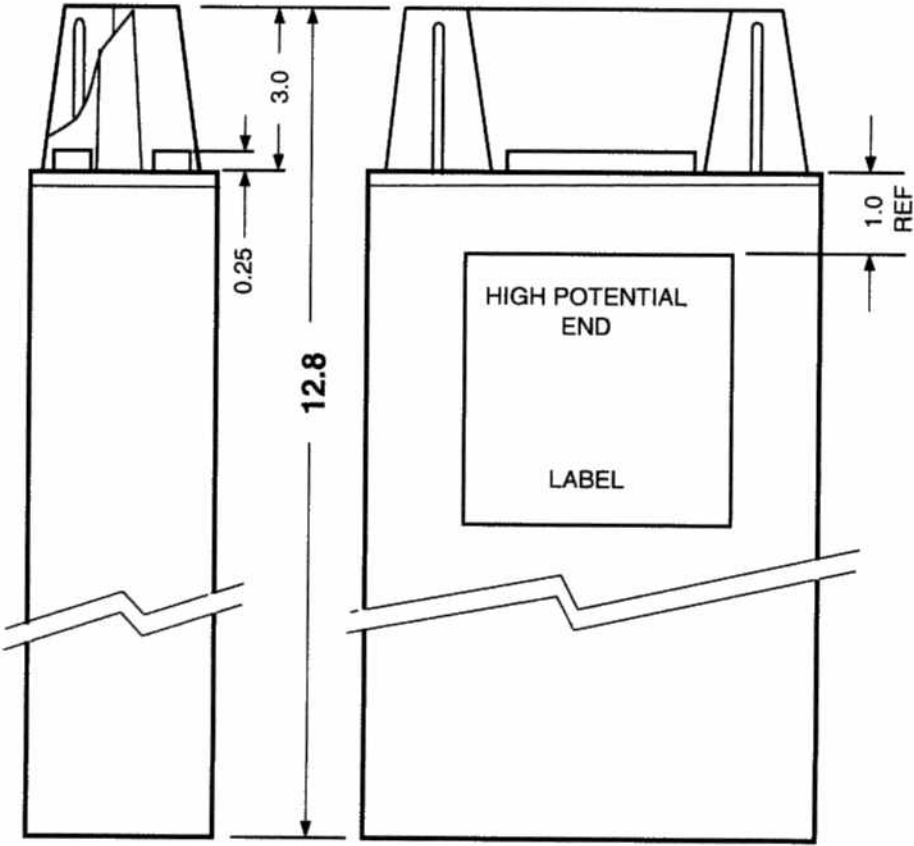
* R.T. = Room temperature (23 ± 7 °C)

	SIZE	FSCM	DRAWING NUMBER		REV LTR
	A	58307	31176		F
			SHEET 2		



△
0.3 MAXIMUM
ALLOWABLE BULGE

10-32 UNC x 0.25
4 PLCS



GENERAL ATOMICS ELECTRONIC SYSTEMS		4949 GREENCRAIG LANE SAN DIEGO, CA 92123	
TITLE CAPACITOR PART No. 31176 0.2 uF ± 10%, 60 kV		SIZE A	FSCM 58307
DRAWING NUMBER 31176		REV LTR F	
SCALE - NONE		DATE: 6/6/05	

CONTRACT NO.	DATE
APPROVALS	
DRAWN	
CHECKED	
ENGR	JSR
DESIGN ACTIVITY	
GOVERNMENT ACTIVITY	

UNLESS OTHERWISE SPECIFIED
DIMENSIONS ARE IN INCHES.
TOLERANCES ARE:
DECIMALS
.X ± .1
.XX ± .03
XXX ± .010
DO NOT SCALE DRAWING

ANGLES
± 2°

TREATMENT

FINISH

SIMILAR TO SPECIAL MARKING SYS

APPLICATION	USED ON
NEXT ASSY	