



# CAPACITOR SPECIFICATION

**PART NUMBER: 31160**

<u>PARAMETER</u>	<u>VALUE</u>	<u>UNITS</u>	<u>Q.A.</u>	<u>METHOD</u>
CAPACITANCE:	0.22	$\mu$ F	100%	120 Hz, R.T.*
TOLERANCE:	+10, -10	%		
RATED VOLTAGE:	50	kV		
TEST VOLTAGE:	55	kV	100%	60 sec HIPOT
RATED ENERGY:	275	Joules		
RATED VOLTAGE REVERSAL:	20	%		
MAX. VOLTAGE REVERSAL:	80	%		
MAX. PEAK CURRENT:	25	kA		
MAX. CONTINUOUS REP RATE:	1	pps		
MAX. RMS CURRENT	25	A		
MAX. OPERATING TEMP.	40	$^{\circ}$ C		
MIN. OPERATING TEMP.	-10	$^{\circ}$ C		
DESIGN LIFE AT RATED:	1.0E+05	charge / discharge cycles		
DC LIFE:	3.0E+04	hours		
RELIABILITY AT LIFE:	90	%		
MAX. DISSIPATION FACTOR	0.50	%	100%	120 Hz, R.T.*
APPROX. INDUCTANCE	20	nH	SAMPLE	STANDING WAVE
MIN. INSULATION RESISTANCE	1000	Mohm- $\mu$ F	SAMPLE	DECAY Vr / R.T.* / 120s / 120s
CASE STYLE:	Single-Ended Plastic Case (Type "S")			
BUSHING:	50 kV "S"			
TERMINALS:	2 ea RAILS with 2 ea 10-32 UNF-2B Threaded Holes			
DIMENSIONS:	2.3 x 5.9 x 11.8	inches		
	58 x 150 x 298	mm		
WEIGHT:	7.6	lbs		
	3.5	kg		

**NOTES:**

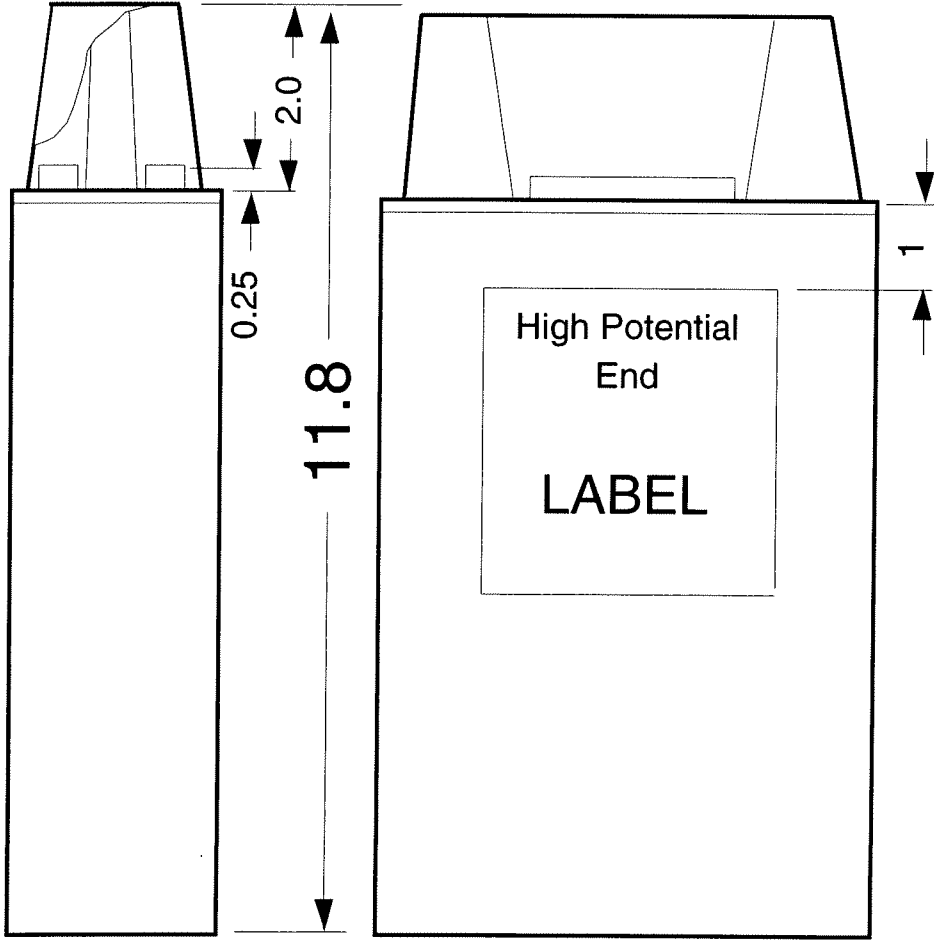
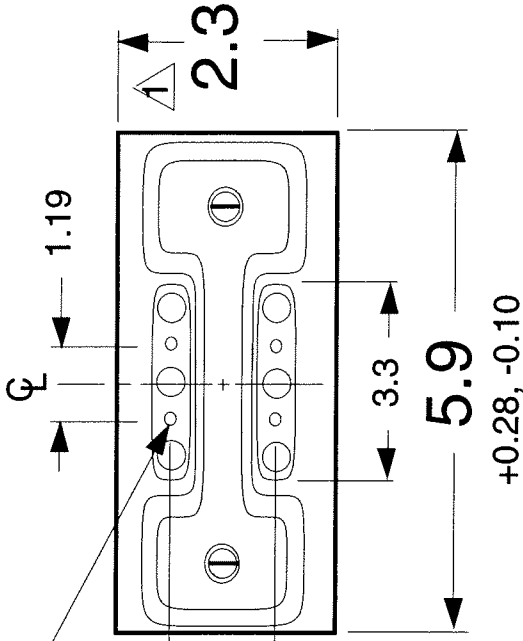
NOTE 1: LEAK TEST: 100 % test and inspection

NOTE 2: CO IMPREGNANT (non-PCB)

\*R.T. = room temperature

	SIZE <b>A</b>	FSCM <b>58307</b>	DRAWING NUMBER <b>31160</b>	REV LTR <b>Y</b>
			SHEET	<b>2</b>

10-32 UNC x 0.25  
4 PLCS



GENERAL ATOMICS Energy Products		ELECTRONIC SYSTEMS 4949 GREENCRAIG LANE SAN DIEGO CA. 92123	
TITLE		OUTLINE DRAWING	
PART No. 31160		0.22 $\mu$ F $\pm$ 10 %, 50 kV	
SIZE	FSCM	DRAWING NUMBER	REV LTR
A	58307	31160	Y
SCALE	NONE	DATE	PAGE 9 OF 9
CONTRACT NUMBER		DATE	
DO NOT SCALE DRAWING UNLESS OTHERWISE SPECIFIED DIMENSIONS ARE IN INCHES .X $\pm$ .1 .XX $\pm$ .03 .XXX $\pm$ .010		PREPARED	CHECKED
PROJECT MANAGER	ENGINEER	DESIGN ACTIVITY APPROVAL	GOVERNMENT ACTIVITY APPROVAL
PROJECT ENGINEER	GENERAL ATOMICS		
APPROVED			
CHECKED BY			
DRAWN BY	J Bates		
NEXT ASSY APPLICATION	USED ON		