



CAPACITOR SPECIFICATION

PART NUMBER: **31158**

<u>PARAMETER</u>	<u>VALUE</u>	<u>UNITS</u>	<u>Q.A.</u>	<u>METHOD</u>
CAPACITANCE:	1.0	µF	100%	120 Hz, R.T.*
TOLERANCE:	+10, -10	%		
RATED VOLTAGE:	40.0	kV		
TEST VOLTAGE:	45.0	kV	100%	60 sec HIPOT
RATED ENERGY:	800	Joules		
RATED VOLTAGE REVERSAL:	20	%		
MAX. VOLTAGE REVERSAL:	80	%		
MAX. PEAK CURRENT:	25	kA		
MAX. CONTINUOUS REP RATE:	1	pps		
MAX. RMS CURRENT	25	A		
MAX. OPERATING TEMP.	40	°C		
MIN. OPERATING TEMP.	-10	°C		
DESIGN LIFE AT RATED:	1.0E+05	See Note 3	charge / discharge cycles	
DC LIFE:	5.0E+04		hours	
RELIABILITY AT LIFE:	90		%	
MAX. DISSIPATION FACTOR	0.50	%	100%	120 Hz, R.T.*
APPROX. INDUCTANCE	17-25	nH	SAMPLE STANDING WAVE	
MIN. INSULATION RESISTANCE	1000	Mohm-µF	SAMPLE DECAY Vr / R.T.* / 120s / 120s	
CASE STYLE:	Single-Ended Plastic Case (Type "S")			
BUSHING:	50 kV "S"			
TERMINALS:	2 ea RAILS with 2 ea 10-32 UNF-2B Threaded Holes			
DIMENSIONS:	2.3 x 5.9 x 27.8	inches		
	58 x 150 x 706	mm		
WEIGHT:	18.5	lbs		
	8.4	kg		

NOTES:

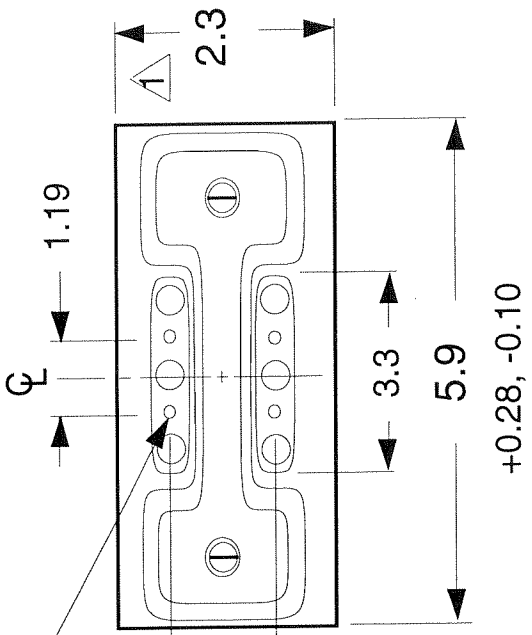
NOTE 1: LEAK TEST: 100 % test and inspection

NOTE 2: CO IMPREGNANT (non-PCB)

NOTE 3: Life at 20 kV, 75% Voltage Reversal ~ 3.5E+05 charge / discharge cycles

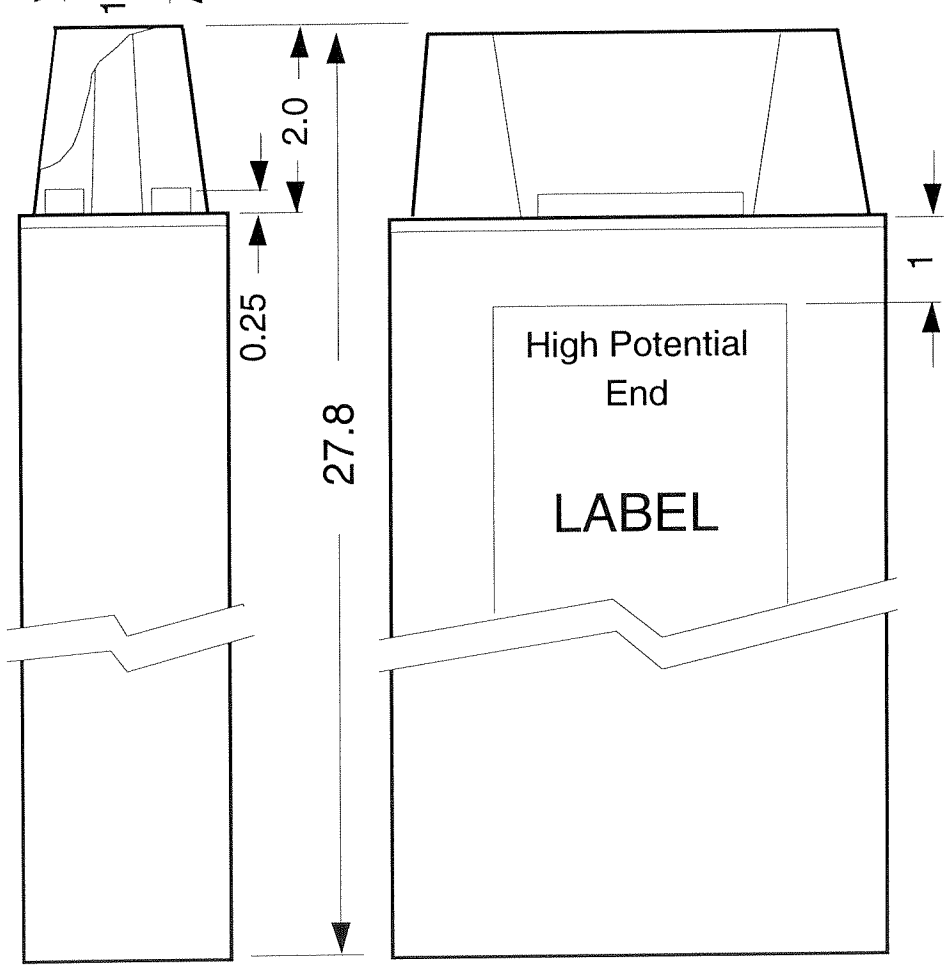
*R.T. = room temperature

	SIZE A	FSCM 58307	DRAWING NUMBER 31158	REV LTR H
			SHEET	2



$\triangle 1$ 0.3 MAXIMUM ALLOWABLE BULGE

10-32 UNC x 0.25
4 PLCS



GENERAL ATOMICS Energy Products		ELECTRONIC SYSTEMS 4949 GREENCRAIG LANE SAN DIEGO CA. 92123	
TITLE OUTLINE DRAWING		SIZE A	
PART NO. 31158		DRAWING NUMBER 31158	
1.0 μF ± 10 %, 40.0 kV		REV LTR H	
FSCM		SCALE NONE	
DATE		DATE	
CONTRACT NUMBER		DATE	
DATE		PREPARED	
PROJECT MANAGER		CHECKED	
PROJECT ENGINEER		ENGINEER	
APPROVED		DESIGN ACTIVITY APPROVAL	
CHECKED BY		GOVERNMENT ACTIVITY APPROVAL	
DRAWN BY J BATES		USED ON	
APPLICATION		PAGE 9 OF 9	