

CAPACITOR SPECIFICATION

PART NUMBER: **310DM550**

| <u>PARAMETER</u> | <u>VALUE</u> | <u>UNITS</u> | <u>Q.A.</u> | <u>METHOD</u> |
|----------------------------|---------------------|---------------------------|-------------|-------------------------------|
| CAPACITANCE: | 50.0 | uF | 100% | 120 Hz, 23 °C |
| TOLERANCE: | ± 10 | % | | |
| RATED VOLTAGE: | 1.0 | kV | | |
| TEST VOLTAGE: | 2.0 | kV | 100% | 60 sec HIPOT |
| RATED ENERGY: | 25.0 | Joules | | |
| RATED VOLTAGE REVERSAL: | 20 | % | | |
| MAX. VOLTAGE REVERSAL: | 80 (FAULT) | % | | 1 CYCLE |
| RATED PEAK CURRENT: | 0.8 | kA | | |
| MAX. PEAK CURRENT (FAULT): | 1.2 (FAULT) | kA | | 1 CYCLE |
| MAX. RMS CURRENT | 15 | Amps RMS | | |
| MAX. OPERATING TEMP. | 65 | °C | | |
| MIN. OPERATING TEMP. | -20 | °C | | |
| DESIGN LIFE AT RATED: | 3.7E+09 | Charge / Discharge cycles | | |
| DC LIFE: | 1.0E+06 | hours | | |
| RELIABILITY AT LIFE: | 90 | % | | |
| MAX. DISSIPATION FACTOR | 0.30 | % | 100% | 120 Hz, 23 °C |
| APPROX. INDUCTANCE | 100 | nH | SAMPLE | STANDING WAVE |
| MIN. INSULATION RESISTANCE | 1000 | Mohm-uF | SAMPLE | DECAY Vr / R.T. / 120s / 120s |
| CASE STYLE: | DRAWN METAL CAN | | | |
| BUSHING: | 2 ea CERAMIC PILLAR | | | |
| ELECTRODE: | 1/4-20 UNC-2A | | | |
| CASE TERMINAL: | NONE | | | |
| DIMENSIONS: | 1.91 x 2.91 x 4.75 | inches | | |
| | 49 x 74 x 121 | mm | | |
| APPROXIMATE WEIGHT: | 0.9 | lbs | | |
| | 0.4 | kg | | |

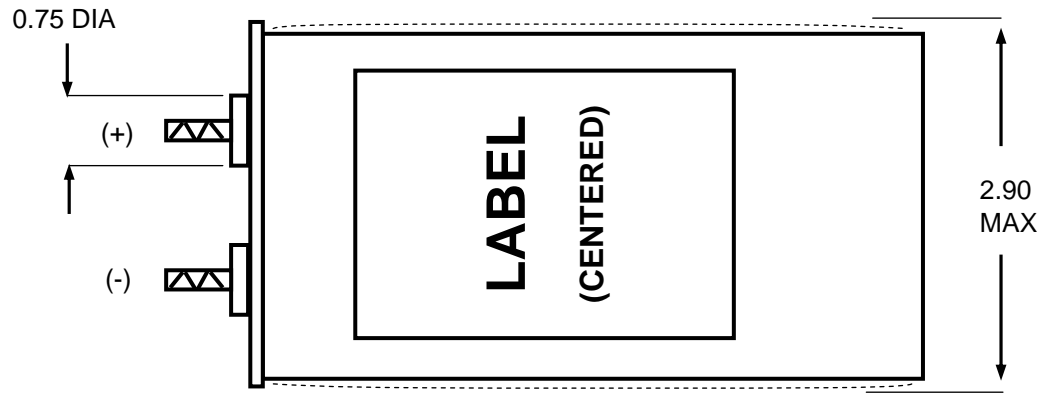
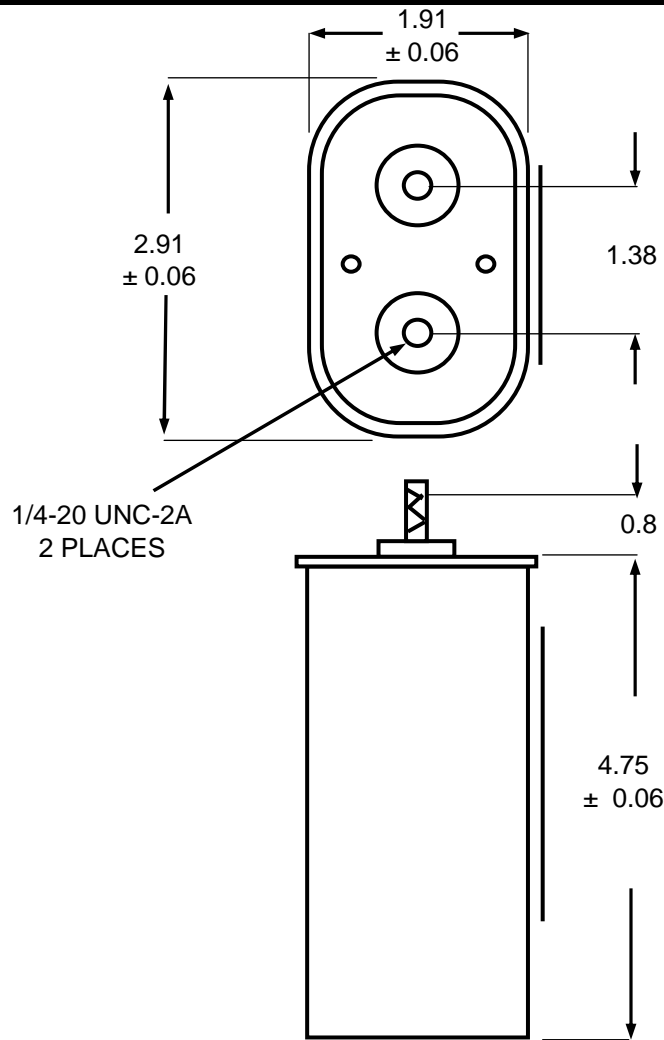
NOTES:

NOTE 1: LEAK TEST: 100 % test and inspection

NOTE 2: RSO IMPREGNANT (non-PCB)


* R.T. = Room temperature (23 ± 7 °C)

| | | | | |
|--|----------------|--------------|----------------|----------|
| | SIZE | FSCM | DRAWING NUMBER | REV |
| | A | 58307 | 39644 | H |
| | SHEET 2 | | | |



NOTES:

NEGATIVE (-) TERMINAL DENOTES OUTER CONDUCTOR AND SHOULD BE KEPT CLOSEST TO CAN POTENTIAL.

| | | | | | | | | |
|-------------|---------|--|---------------------|------|--|--------------|----------------|--------------|
| | | UNLESS OTHERWISE SPECIFIED DIMENSIONS ARE IN INCHES. TOLERANCES ARE: DECIMALS ANGLES .X ± .1 ± 2° .XX ± .03 .XXX ± .010 DO NOT SCALE DRAWING | CONTRACT NO. | |  4949 GREENCRAIG LANE SAN DIEGO, CA 92123 | | | |
| | | | APPROVALS | DATE | | | | |
| | | TREATMENT | DRAWN | | SIZE | FSCM | DRAWING NUMBER | REV LTR |
| | | FINISH | CHECKED | | A | 58307 | 39644 | H |
| NEXT ASSY | USED ON | ENGR | MC | | SCALE - NONE | | DATE: 01/23/08 | SHEET 9 of 9 |
| APPLICATION | | SIMILAR TO | DESIGN ACTIVITY | | | | | |
| | | SPECIAL MARKING SYS | GOVERNMENT ACTIVITY | | | | | |