

CAPACITOR SPECIFICATION

PART NUMBER: **30941**

<u>PARAMETER</u>	<u>VALUE</u>	<u>UNITS</u>	<u>Q.A.</u>	<u>METHOD</u>
CAPACITANCE:	45	uF	100%	120 Hz, 23 °C
TOLERANCE:	± 5	%		
RATED VOLTAGE:	4.6	kV		
TEST VOLTAGE:	5.0	kV	100%	60 sec HIPOT
RATED ENERGY:	476	Joules		
RATED VOLTAGE REVERSAL:	10	%		
MAX. VOLTAGE REVERSAL:	80 (FAULT)	%		1 CYCLE
RATED PEAK CURRENT:	0.1	kA		
MAX. PEAK CURRENT (FAULT):	0.3 (FAULT)	kA		1 CYCLE
MAX. RMS CURRENT	5	Amps RMS		
MAX. OPERATING TEMP.	70	°C		
MIN. OPERATING TEMP.	-20	°C		
DESIGN LIFE AT RATED:	1.0E+04	Charge / Discharge cycles		
DC LIFE:	25	hours		
RELIABILITY AT LIFE:	99	%		
MAX. DISSIPATION FACTOR	0.5	%	100%	120 Hz, 23 °C
APPROX. INDUCTANCE	200	nH	SAMPLE	STANDING WAVE
MIN. INSULATION RESISTANCE	1000	Mohm-uF	SAMPLE	DECAY Vr / R.T. / 120s / 120s

CASE STYLE: DRAWN METAL CAN
BUSHING: 2 ea NYLON CUPS
ELECTRODE: 1/4" QUICK-CONNECT, 2 BLADES PER TERMINAL
CASE TERMINAL: NONE
DIMENSIONS: 1.91 x 2.91 x 5.75 inches
 49 x 74 x 146 mm

APPROXIMATE WEIGHT: 1.0 lbs
 0.5 kg

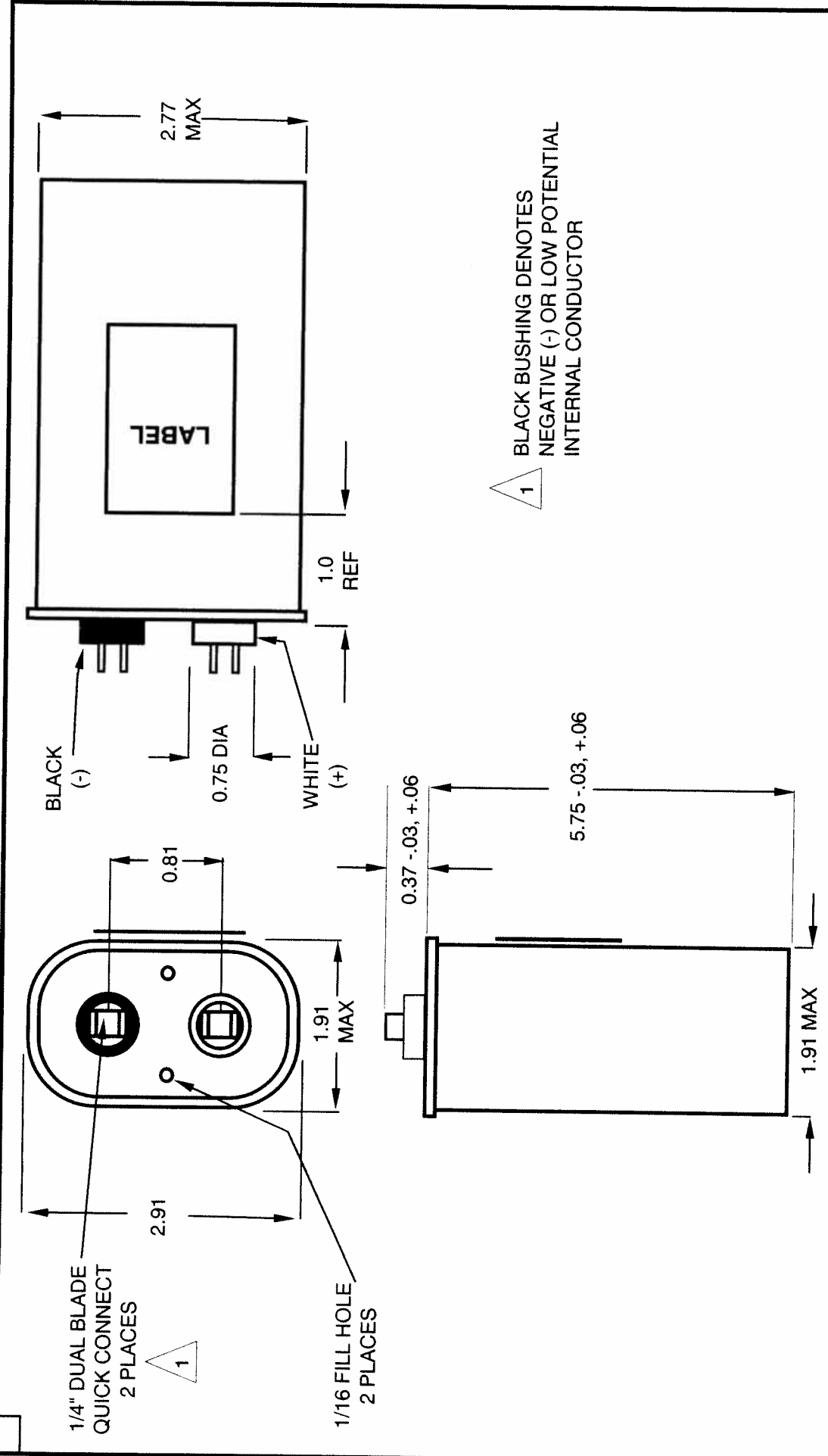
NOTES:

NOTE 1: LEAK TEST: 100 % test and inspection

NOTE 2: RSO IMPREGNANT (non-PCB)

* R.T. = Room temperature (23 ± 7 °C)

	SIZE	FSCM	DRAWING NUMBER	REV
	A	58307	30941	L
			SHEET 2	



1

BLACK BUSHING DENOTES
NEGATIVE (-) OR LOW POTENTIAL
INTERNAL CONDUCTOR

<p>GENERAL ATOMIC ELECTRONIC SYSTEMS 4949 GREENCRAIG LANE SAN DIEGO, CA 92123</p>		<p>TITLE CAPACITOR PART No. 30941 45 uF ± 5%, 4.6 kV</p>		<p>SIZE A</p>	<p>FSCM 58307</p>	<p>DRAWING NUMBER 30941</p>	<p>REV LTR L</p>
<p>CONTRACT NO.</p>		<p>APPROVALS</p>		<p>DATE</p>		<p>SCALE - NONE</p>	
<p>UNLESS OTHERWISE SPECIFIED DIMENSIONS ARE IN INCHES. TOLERANCES ARE: DECIMALS .X ± .1 .XX ± .03 XXX ± .010 DO NOT SCALE DRAWING</p>		<p>DRAWN</p>		<p>CHECKED</p>		<p>ENGR</p>	
<p>TREATMENT</p>		<p>DESIGN ACTIVITY JEG</p>		<p>GOVERNMENT ACTIVITY</p>		<p>DATE: 11-12-99</p>	
<p>FINISH</p>		<p>SIMILAR TO</p>		<p>SPECIAL MARKING SYS</p>		<p>DATE: 11-12-99</p>	
<p>APPLICATION</p>		<p>USED ON</p>		<p>REVISIONS</p>		<p>SHEET 9 of 9</p>	