



CAPACITOR SPECIFICATION

PART NUMBER: 30665

PARAMETER	VALUE	UNITS	Q.A.	METHOD
CAPACITANCE:	20.0	uF	100%	120 Hz, R.T.*
TOLERANCE:	+10, -10	%		
RATED VOLTAGE:	7.5	kV		
TEST VOLTAGE:	8.0	kV	100%	60 sec HIPOT
RATED ENERGY:	563	Joules		
RATED VOLTAGE REVERSAL:	20	%		
MAX. VOLTAGE REVERSAL:	50	%		
MAX. PEAK CURRENT:	25	kA		
MAX. RMS CURRENT	25	A		
MAX. OPERATING TEMP.	65	°C		
MIN. OPERATING TEMP.	-30	°C		
DESIGN LIFE AT RATED:	1.0E+05	charge / discharge cycles		
DC LIFE:	50,000	hours		
RELIABILITY AT LIFE:	90	%		
MAX. DISSIPATION FACTOR	0.35	%	100%	120 Hz, R.T.*
APPROX. INDUCTANCE	90	nH		SAMPLE STANDING WAVE
MIN. INSULATION RESISTANCE	1000	Mohm-uF		SAMPLE DECAY Vr / R.T.* / 120s / 120s
CASE STYLE:	DRAWN METAL CAN			
BUSHING:	2ea, 0.87" TALL CERAMIC PILLAR			
ELECTRODE STUD:	2 ea, 10-32 UNF			
DIMENSIONS:	3.75 x 4.56 x 10.5	inches		
	95 x 116 x 267	mm		
WEIGHT:	10.2	lbs		
	4.6	kg		

NOTES:

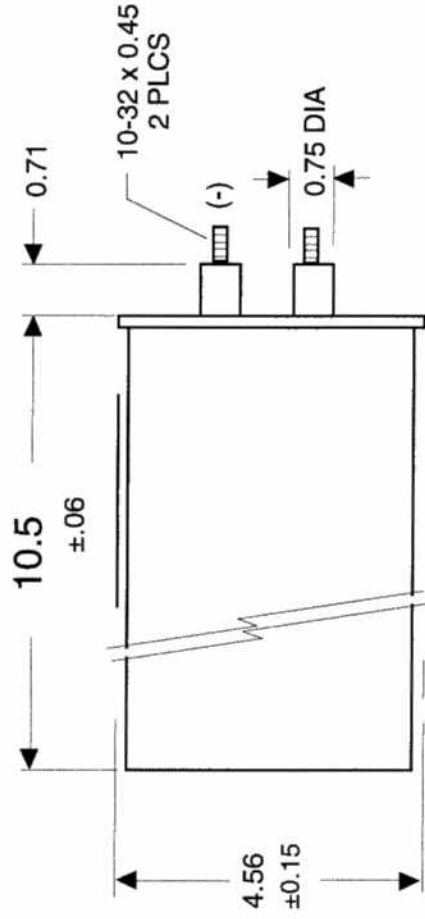
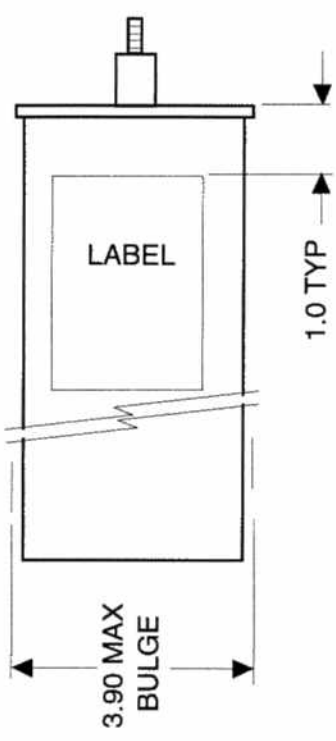
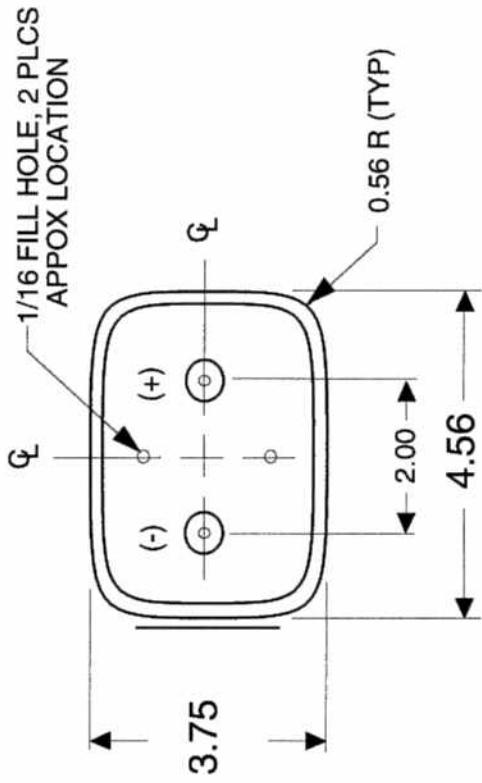
NOTE 1: LEAK TEST: 100 % test and inspection

NOTE 2: BTDP IMPREGNANT (non-PCB)

NOTE 3: CONSULT FACTORY FOR BURST MODE OPERATING LIMITS

*R.T. = room temperature

	SIZE A	FSCM 58307	DRAWING NUMBER 30665	REV LTR T
			SHEET	2



GENERAL ATOMICS Energy Products		ELECTRONIC SYSTEMS 4949 GREENCRAIG LANE SAN DIEGO, CA. 92123	
TITLE OUTLINE DRAWING		PART No. 30665 20.0 uF ± 10 %, 7.5 kV	
SIZE A	FSCM 58307	DRAWING NUMBER 30665	REV LTR T
SCALE NONE	DATE	PAGE 9 OF 9	

DO NOT SCALE DRAWING UNLESS OTHERWISE SPECIFIED DIMENSIONS ARE IN INCHES .X ± .1 .XX ± .03 .XXX ± .010	CONTRACT NUMBER	PROJECT MANAGER PROJECT ENGINEER APPROVED CHECKED BY DRAWN BY
	DATE PREPARED CHECKED ENGINEER DESIGN ACTIVITY APPROVAL GOVERNMENT ACTIVITY APPROVAL	
NEXT ASSY APPLICATION	USED ON	