

CAPACITOR SPECIFICATION

PART NUMBER: 30550

<u>PARAMETER</u>	<u>VALUE</u>	<u>UNITS</u>	<u>Q.A.</u>	<u>METHOD</u>
CAPACITANCE:	10.0	μF	100%	120 Hz, R.T.*
TOLERANCE:	± 10	%		
RATED VOLTAGE:	5.0	kV		
TEST VOLTAGE:	5.5	kV	100%	60 sec HIPOT
RATED ENERGY:	125	Joules		
RATED VOLTAGE REVERSAL:	20	%		
MAX. VOLTAGE REVERSAL:	80	%		
RATED PEAK CURRENT:	25	kA		
MAX. PEAK CURRENT:	25 (FAULT)	kA		
MAX. CONTINUOUS REP RATE:	50	pps		
MAX. RMS CURRENT	25	A		
MAX. OPERATING TEMP.	65	°C		
MIN. OPERATING TEMP.	-30	°C		
DESIGN LIFE AT RATED:	4.0E+05	charge / discharge cycles		
DC LIFE:	5.0E+03	hours		
RELIABILITY AT LIFE:	90	%		
MAX. DISSIPATION FACTOR	0.30	%	100%	120 Hz, R.T.*
APPROX. INDUCTANCE	90	nH	SAMPLE	STANDING WAVE
MIN. INSULATION RESISTANCE	1000	Mohm-uF	SAMPLE	DECAY Vr / R.T.* / 120s / 120s
CASE STYLE:	DRAWN METAL CAN (OVAL)			
BUSHING:	2 ea CERAMIC PILLAR			
ELECTRODE STUD:	10-32 UNF 2A x 0.45 LONG			
DIMENSIONS:	1.91 x 3.66 x 7.28	inches		
	49 x 93 x 185	mm		
WEIGHT:	2.4	lbs		
	1.1	kg		

NOTES:

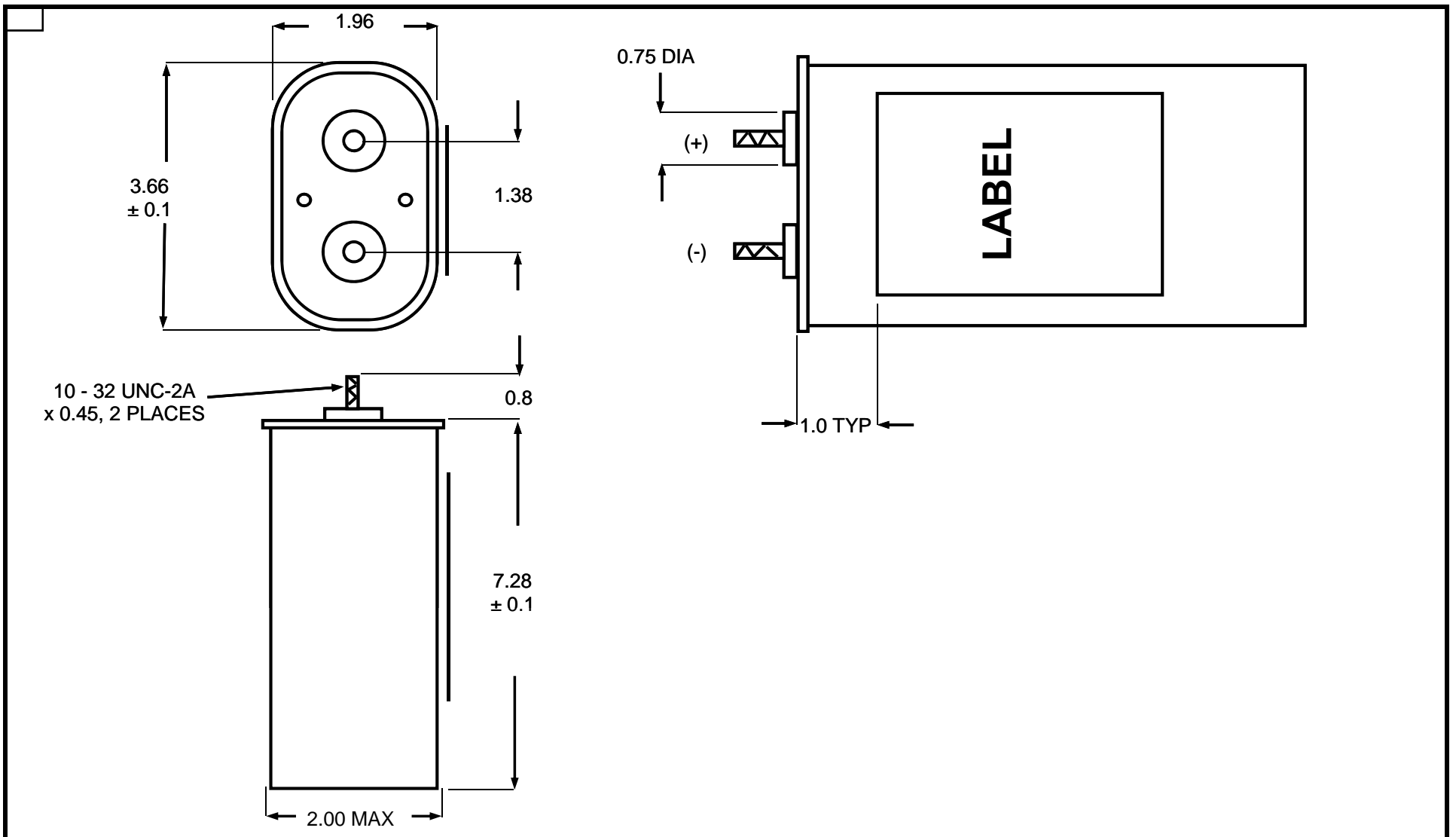
NOTE 1: LEAK TEST: 100 % test and inspection


NOTE 2: BTDP IMPREGNANT (non-PCB)

NOTE 3: CONSULT FACTORY FOR BURST MODE OPERATING LIMITS

* R.T. = Room temperature (23 ± 7 °C)

	SIZE	FSCM	DRAWING NUMBER	REV LTR
	A	58307	30550	K
	SHEET 2			



		UNLESS OTHERWISE SPECIFIED DIMENSIONS ARE IN INCHES. TOLERANCES ARE: DECIMALS .X ± .1 ANGLES ± 2° .XX ± .03 .XXX ± .010 DO NOT SCALE DRAWING	CONTRACT NO.		 4949 GREENCRAIG LANE SAN DIEGO, CA 92123			
			APPROVALS	DATE				TITLE CAPACITOR PART No. 30550 10.0 μF ± 10%, 5.0 kV
		TREATMENT	DRAWN	SIZE		FSCM	DRAWING NUMBER	REV LTR
		FINISH	CHECKED	A		58307	30550	K
NEXT ASSY		SIMILAR TO	ENGR					
USED ON		SPECIAL MARKING SYS	DESIGN ACTIVITY					
APPLICATION			GOVERNMENT ACTIVITY			SCALE - NONE	DATE:	SHEET 9 of 9